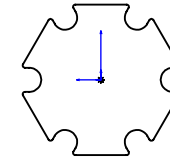
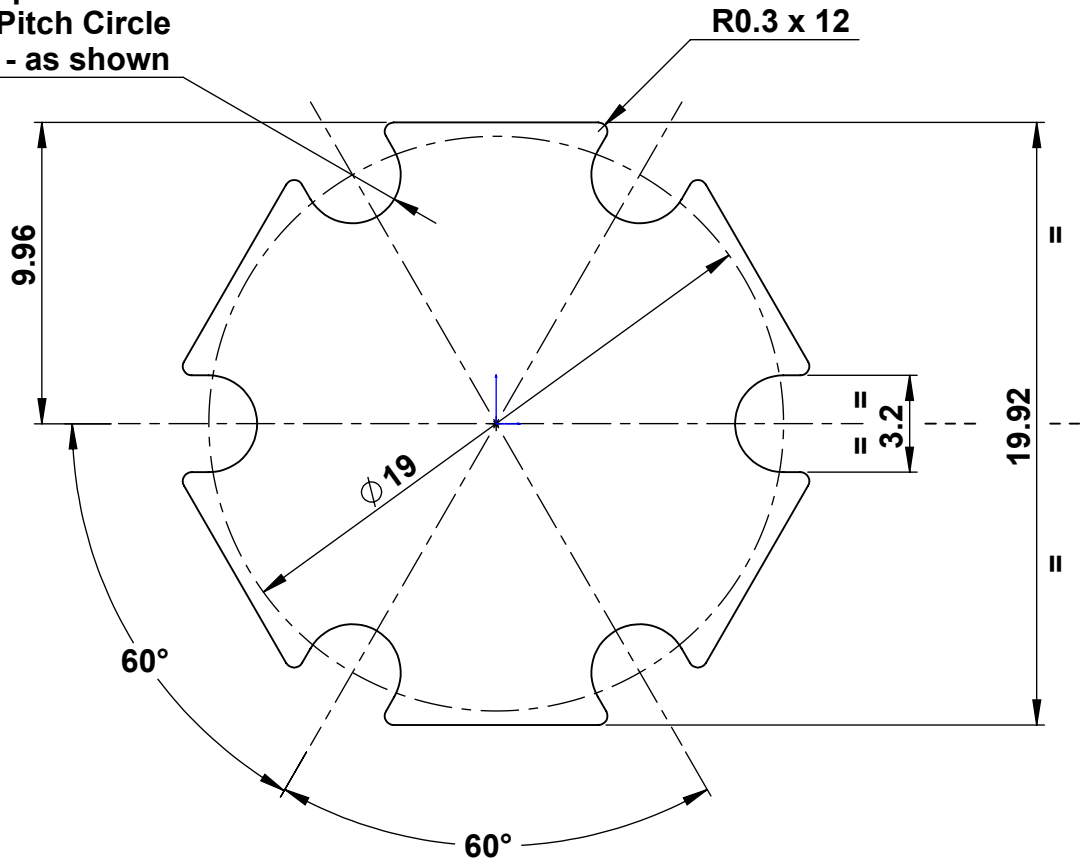


**R1.6 x 6**  
**Equally Spaced on**  
**19.0mm. Pitch Circle**  
**Diameter - as shown**



**REFERENCE VIEW**  
 Scale:- Full Size

UNLESS OTHERWISE SPECIFIED:  
 DIMENSIONS ARE IN Millimetres  
 SURFACE FINISH:  
 TOLERANCES:  
 LINEAR:  
 ANGULAR:

	NAME	DATE
DRAWN	L. Simpson	14 <sup>th</sup> July 2012
CHK'D		
APPV'D		
MFG		
Q.A		

**t-Global  
 Technology**

MATERIAL:  
**t-Global Thermal  
 Material PC99**  
 Thickness T = 0.12mm.

PART No.

DO NOT SCALE DRAWING | REVISION  
 LP0001/01-Material Ref.- Thickness(T mm.)  
 Ordering No. LP0001/01-PC99-0.12

TITLE:  
**LUMI-PAD**  
 For LED Configuration

**LP0001/01-PC99-0.12**

**A4**

WEIGHT: | SCALE: 4:1 | SHEET 1 OF 1