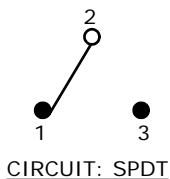
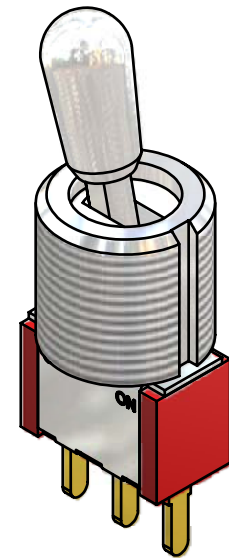
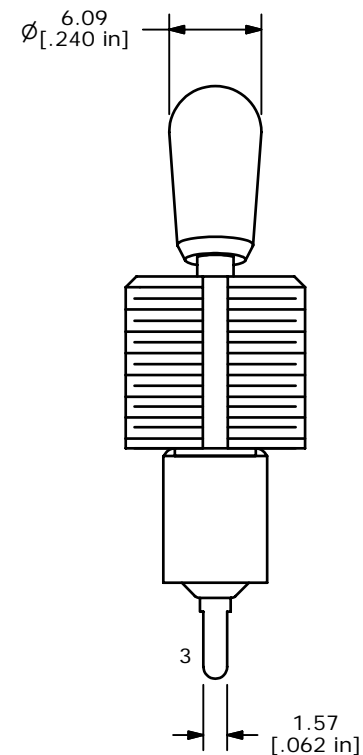
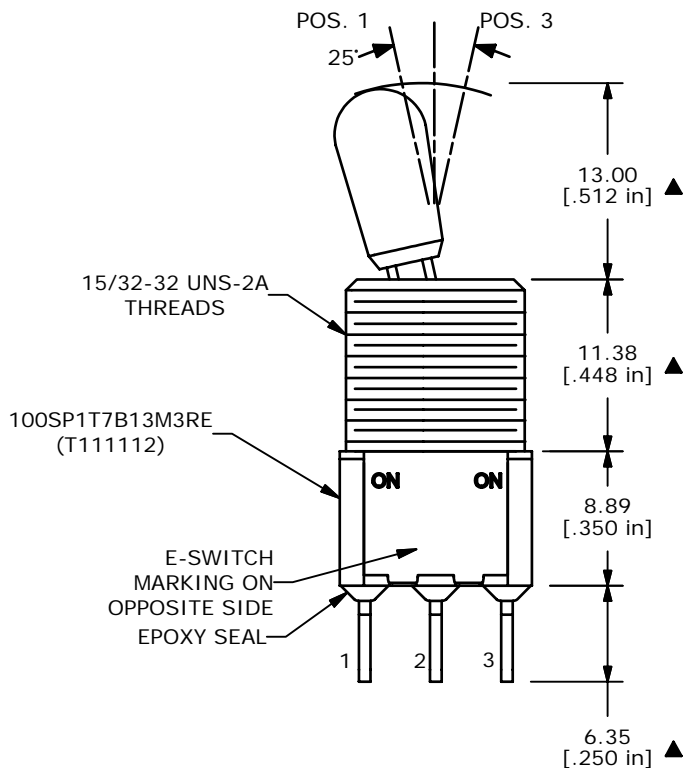
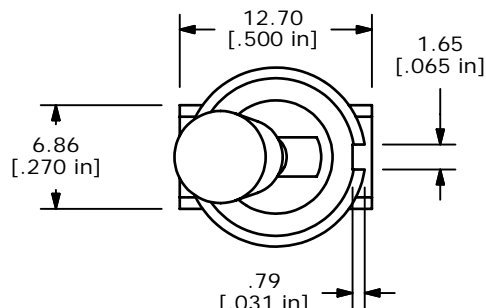


SWITCH FUNCTION		
POS. 1	POS. 2	POS. 3
ON	NONE	ON
2-3	OPEN	2-1



NOTE:

1. ALL DIMENSIONS IN MM [INCH]
2. GENERAL TOLERANCE: X.X=±0.4
X.XX=±0.25
3. TERMINAL NUMBERS FOR REF ONLY
- ▲4. PLATING MATERIAL: GOLD
5. RATING: 0.4 (VA) MAX. @20V MAX.
6. ELECTRIC LIFE: 40,000 MAKE-AND-BREAK CYCLES AT FULL LOAD.
7. INSULATION RESISTANCE: 1,000 MEGA-OHM MIN.
8. DIELECTRIC STRENGTH: 1,000 V RMS @SEA LEVEL.
9. OPERATING TEMP.: -30°C to 85°C
10. ▲ DENOTES CRITICAL PARAMETER.
- ▲11. HARDWARE TO BE SHIPPED BULK:
T100020 - LOCK WASHER, QTY 1
T100017 - LOCK RING, QTY 1
T100019 - HEX NUT, QTY 2
12. 2002/95/EC (ROHS) COMPLIANT.



ISOMETRIC

E-SWITCH®

B	16531	CHANGED SWITCH POSITION DIM.	10/16/2006	TN
A	16194	RELEASED FOR PRODUCTION	7/3/06	CT
REV	PCR NO	DESCRIPTION	DATE	BY

TITLE 100SP1T7B13M3REH				
SCALE 2:1	DATE 7/3/2006	DR CT	DWG ST111112	REV B

THE INFORMATION CONTAINED IN THIS DOCUMENT IS PROPRIETARY TO E-SWITCH AND IS NOT TO BE COPIED OR TRANSFERRED