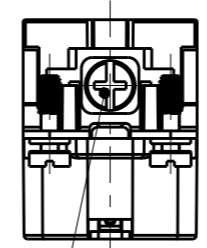
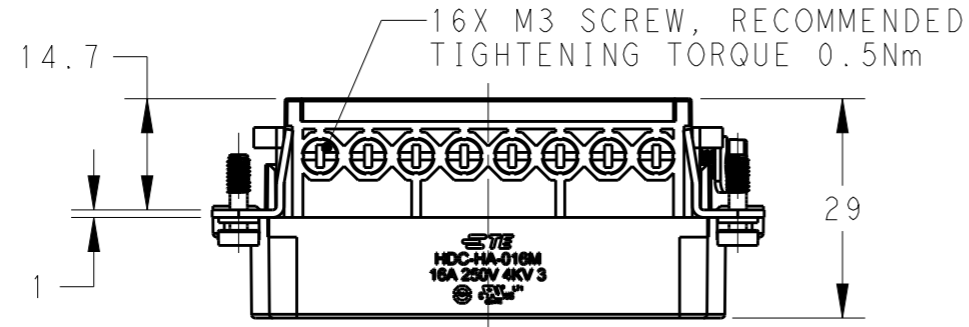
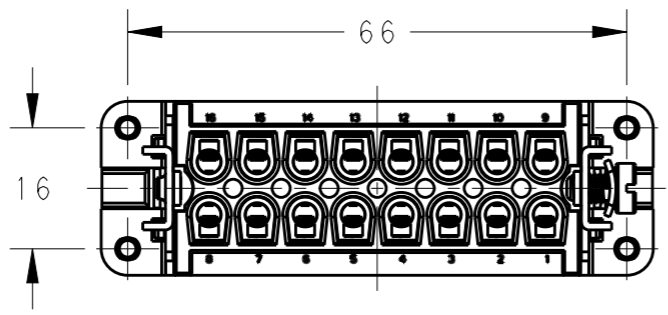
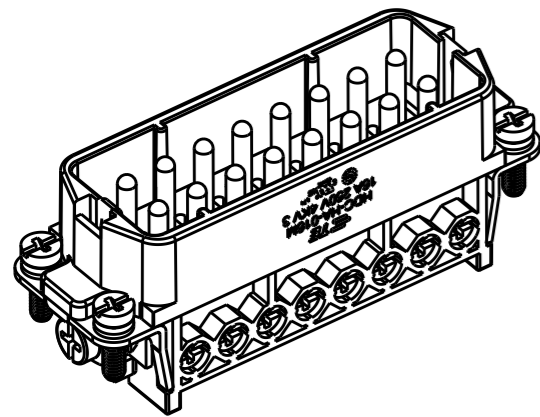


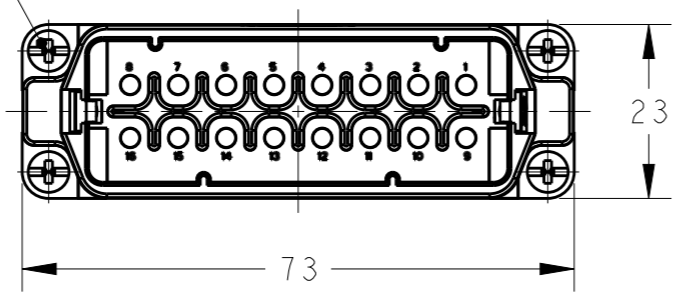
THIS DRAWING IS UNPUBLISHED. RELEASED FOR PUBLICATION 20
 © COPYRIGHT 20 BY - ALL RIGHTS RESERVED.

REVISIONS					
P	LTR	DESCRIPTION	DATE	DWN	APVD
	A	INITIAL	10NOV2014	DW	CW
	A1	ECR-15-004309	19MAR2015	DW	CW
	B	ECR-15-013750	17SEP2015	DW	CW
	B1	ECR-15-016224	05NOV2015	DW	CW



M4 SCREW
RECOMMENDED
TIGHTENING TORQUE 1.2Nm

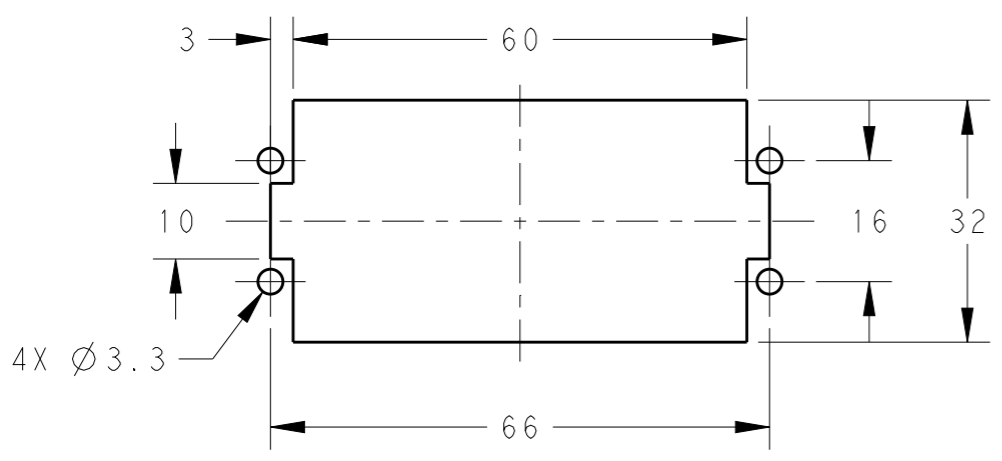
4X M3 SCREW, RECOMMENDED
TIGHTENING TORQUE 0.5Nm



NOTES:
 1. TECHNICAL CHARACTERISTICS:
 INSULATION MATERIAL: PC
 RATED VOLTAGE: 250 V
 RATED CURRENT: 16 A
 INSULATION RESISTANCE: >=400MΩ
 RATED IMPULSE VOLTAGE: 4 KV
 POLLUTION DEGREE: 3
 FLAMMABILITY: UL94V-0
 MATING CYCLES: 500 CYCLES
 OPERATION TEMPERATURE: -40-+125°C
 WIRE RANGE: 0.5-2.5 mm² (20-14 AWG)
 CONTACT FINISH: SILVER PLATED
 CONTACT TYPE: SCREW CONTACT

注释:
 1. 技术参数:
 绝缘材料: PC
 额定电压: 250V
 额定电流: 16A
 绝缘电阻: >=400MΩ
 额定脉冲电压: 4 KV
 污染等级: 3
 阻燃等级: UL94V-0
 插拔次数: 500 次
 工作温度: -40-+125°C
 接线范围: 0.5-2.5 mm² (20-14 AWG)
 端子表面处理: 镀银
 接线类型: 螺丝连接

PANEL CUT FOR INSERTS FOR USE
WITHOUT HOODS/ HOUSINGS



HA-016-M	T2010162101-000
DESCRIPTION	PART NUMBER

THIS DRAWING IS A CONTROLLED DOCUMENT.		DWN 10NOV2014 David Wang	TE Connectivity	
DIMENSIONS: mm		CHK 10NOV2014 Chris Wang		
TOLERANCES UNLESS OTHERWISE SPECIFIED:		APVD 10NOV2014 Xiang Xu	NAME HA-016-M	
0 PLC ±-		PRODUCT SPEC 108-137045	SIZE CAGE CODE DRAWING NO RESTRICTED TO	
1 PLC ±-		APPLICATION SPEC 114-137045	A300779 C-T2010162101000	
2 PLC ±-		WEIGHT -	SCALE 1:1 SHEET 1 OF 1 REV B1	
3 PLC ±-		Customer Drawing		
4 PLC ±-				
ANGLES ±-				
FINISH				
-				
-				