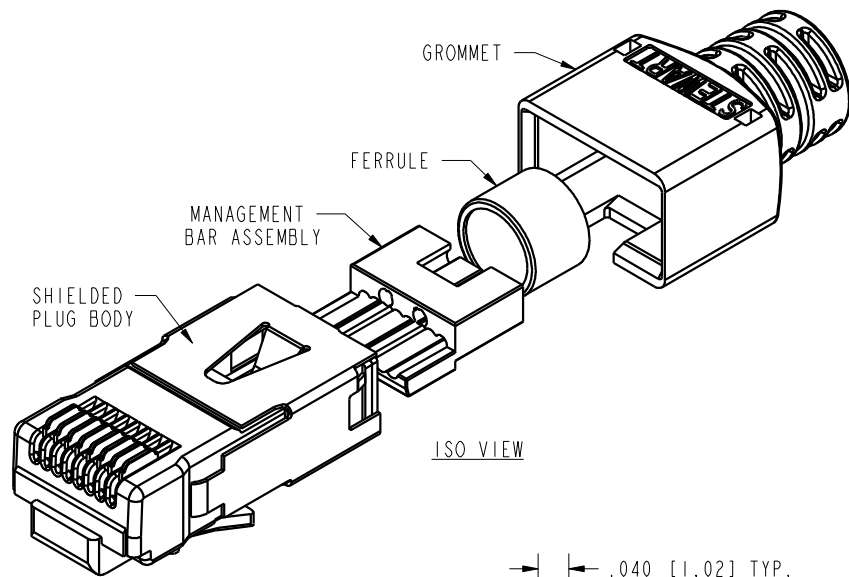
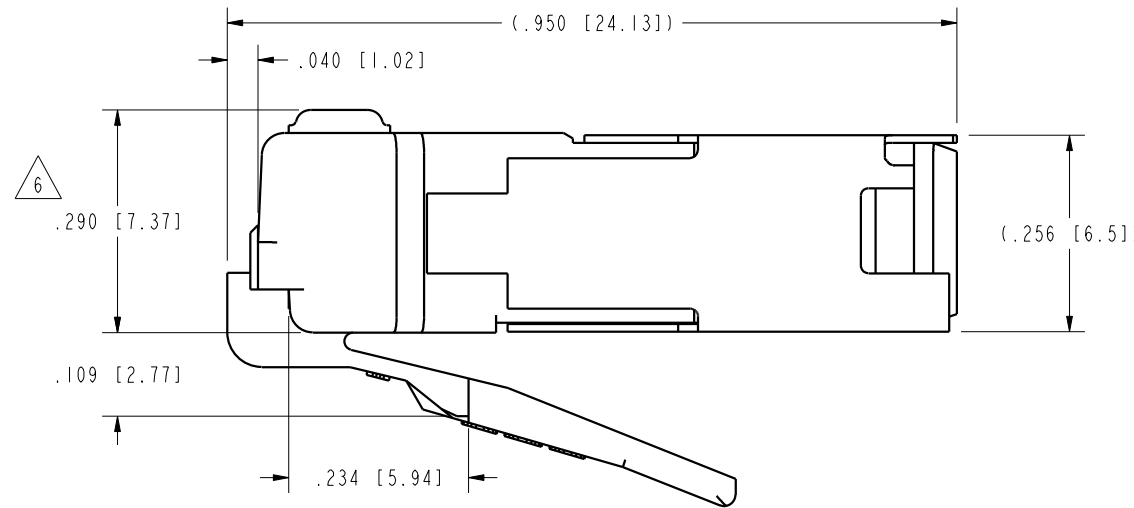
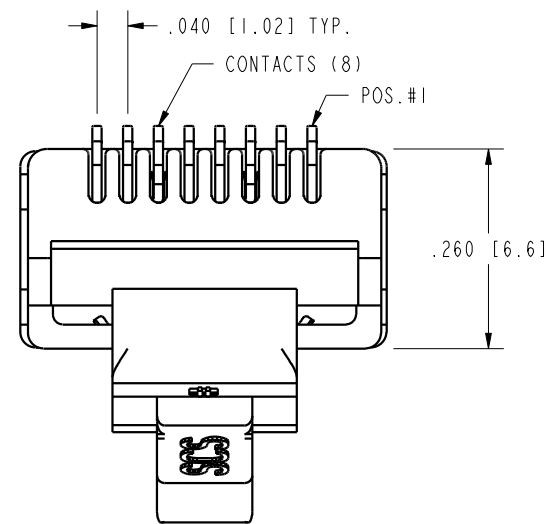
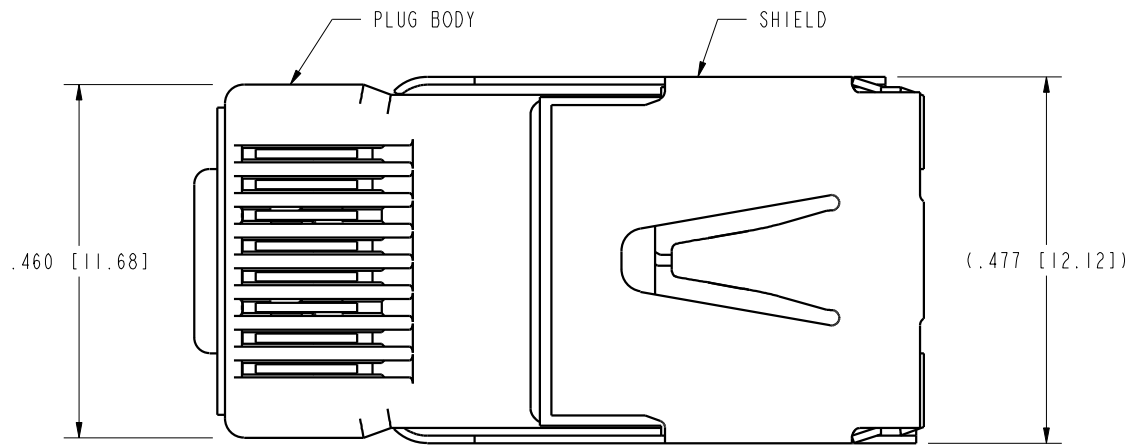


DATE	REV.	ECN	APP'D BY
1-23-06	A1	7441	JM
12-13-06	A2	7870	TRM
1-27-11	A3	9130	TRM
5-30-12	A4	9480	SMN
2-17-15	A5	10258	ADB

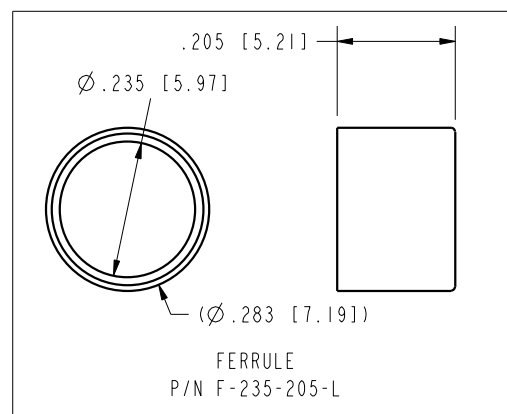
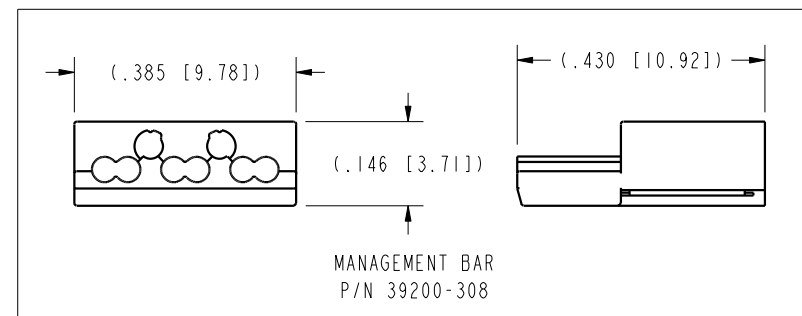
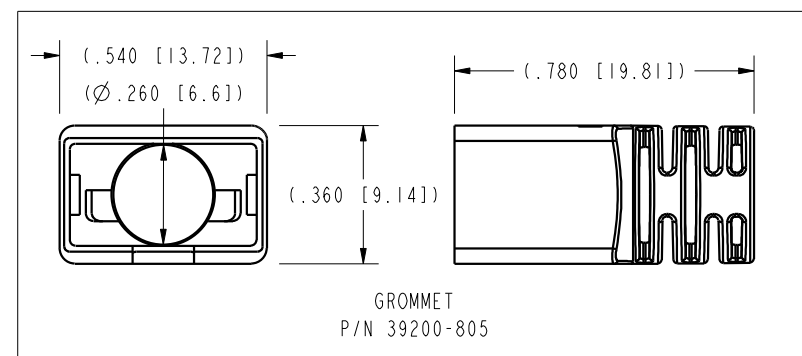


ISO VIEW



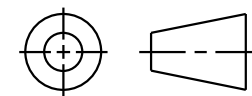
NOTES:

- PLUG KIT CONSISTS OF:  
PRE-INSERTED PLUG BODY & SHIELD  
MANAGEMENT BAR ASSEMBLY  
FERRULE  
GROMMET
- MATERIALS:  
PLUG BODY: CLEAR POLYCARBONATE, UL 94-V0  
MANAGEMENT BAR: CLEAR POLYCARBONATE, UL 94-V0  
CHANNEL COMPENSATOR: NICKEL PLATED BRASS  
SHIELD: TIN PLATED BRASS  
CONTACTS: COPPER ALLOY, SELECTIVE GOLD PLATING  
FERRULE: NICKEL OR TIN PLATED BRASS  
GROMMET: POLYCARBONATE, UL 94-V0, COLOR:BLACK
- CONTACTS TERMINATE SOLID OR STRANDED CONDUCTORS UP TO .037 [0.94] OUTSIDE DIAMETER OF INSULATION.
- FOR PRODUCT SPECIFICATION SEE PRO26-01.
- DIMENSIONS AND TOLERANCES COMPLY WITH TIA-1096 STANDARD.
- TERMINATED PLUG HEIGHT: .237 [6.02] ±.005 [0.13] ON CABLE.
- DESIGNED FOR CATEGORY 6 APPLICATIONS.



BULK	50 MICRO-INCHES [1.27um]	SS-39200-006
PACKAGE	CONTACT PLATING IN MATING AREA	PART NUMBER

THIRD ANGLE PROJECTION



11118 Susquehanna Trail South  
Glen Rock, PA 17327-9199  
(717) 235-7512

<http://www.stewartconnector.com>

DO NOT SCALE DRAWING

DRAWING IS SUBJECT TO CHANGE WITHOUT NOTICE

DIMENSIONS: INCHES [METRIC]

UNLESS OTHERWISE SPECIFIED TOLERANCES ARE ±.005 [0.13] ANGLES ARE ±1°

SHEET NO. 1 OF 1

TITLE: 8 x 8 CATEGORY 6 SHIELDED PLUG ASSEMBLY WITH MANAGEMENT BAR, FERRULE & GROMMET

THIS DRAWING AND THE SUBJECT MATTER SHOWN THEREON ARE CONFIDENTIAL AND THE PROPRIETARY PROPERTY OF STEWART CONNECTOR AND SHALL NOT BE REPRODUCED, COPIED, OR USED IN ANY MANNER WITHOUT PRIOR WRITTEN CONSENT OF STEWART CONNECTOR. THIS PRODUCT MAY BE PROTECTED BY ONE OR MORE OF THE FOLLOWING US PATENTS:  
5628647 6402559 6409535 6524128  
7753717 8033863  
OTHER PATENTS MAY BE PENDING.

DRN BY: JAM DATE 5-21-01

APPD BY: TRM DATE 5-22-01

DWG. NO. CT390009 REV. A5

