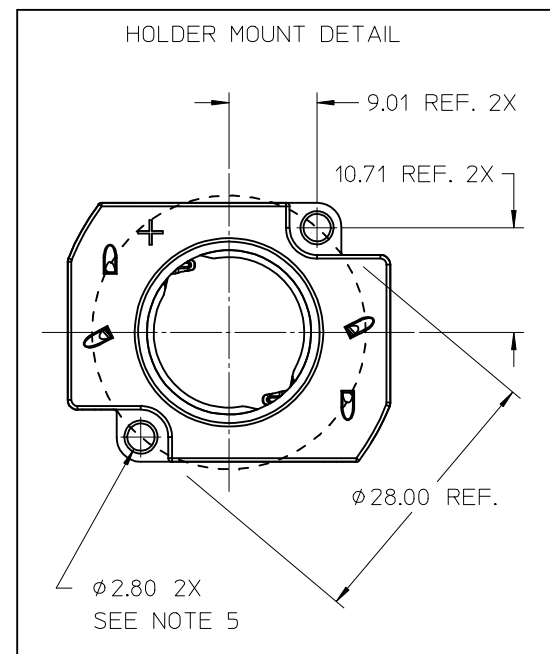
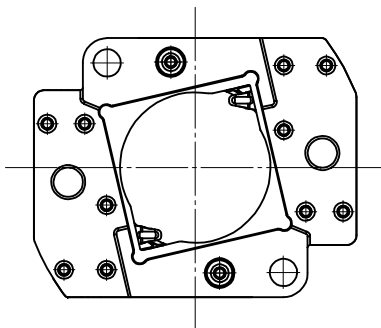
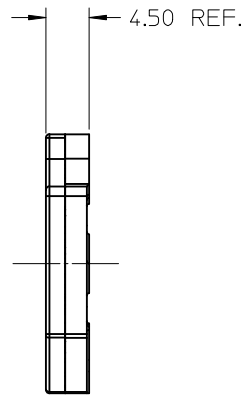
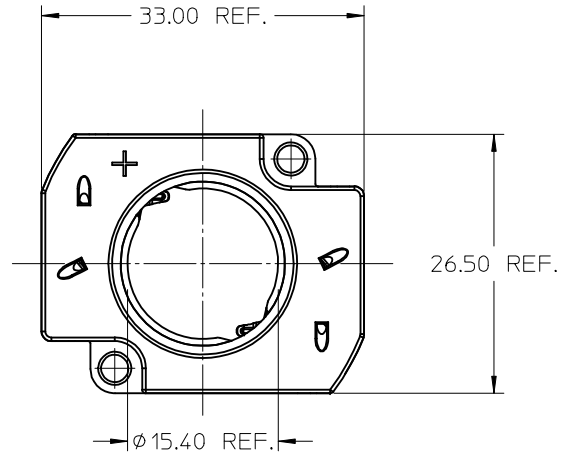
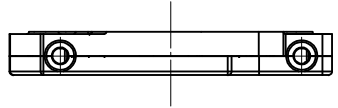
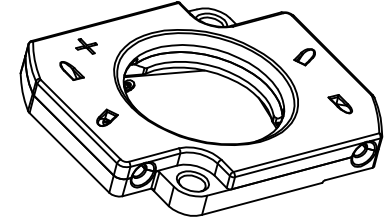


10	9	8	7	6	5	4	3	2	1
PART NUMBER		DESCRIPTION							
180560-0001		CXA15 LED HOLDER							



- NOTES:
- MATERIALS:
    - TOP HOUSING: WHITE COLOR PBT 30% GF UL94V-0
    - BOTTOM HOUSING: WHITE COLOR PBT 30% GF UL94V-0
  - WIRE TRAP TERMINALS: COPPER ALLOY
    - FINISH: SELECTIVE GOLD OVER NICKEL
  - THIS PRODUCT IS ELV AND ROHS COMPLIANT
  - APPLICABLE WIRE GAUGE - 18 OR 20 AWG
    - SOLID WIRE IS RECOMMENDED
    - IF STRANDED WIRE IS USED, PRE-TINNED IS RECOMMENDED
    - 11.0mm±1.0mm STRIP LENGTH IS RECOMMENDED
  - MOUNT HOLDER USING M2.5 SCREWS (2), 0.8 NEWTON METERS MAXIMUM TORQUE

<b>ENTER DESCRIPTION</b> EC NO: SSL2013-0113 DRAWN BY: JAKLIC 2013/04/09 CHKD: JAKLIC APPR: DMCGOWAN 2013/04/09 REV: 2	<b>QUALITY SYMBOLS</b> 	<b>GENERAL TOLERANCES (UNLESS SPECIFIED)</b>		<b>DIMENSION STYLE</b> <b>MM ONLY</b>		<b>SCALE</b> 2:1	<b>DESIGN UNITS</b> METRIC	<b>THIRD ANGLE PROJECTION</b>			
		4 PLACES ± --- ± --- 3 PLACES ± --- ± --- 2 PLACES ± 0.13 ± --- 1 PLACE ± 0.25 ± --- 0 PLACE ± --- ± ---	mm INCH ± --- ± --- ± --- ± --- ± --- ± --- ± --- ± ---	DRAWN BY: FJAKLIC DATE: 2012/08/10 CHECKED BY: _____ DATE: _____	<b>TITLE</b> CXA15 HOLDER ASSEMBLY			<b>DOCUMENT NO.</b> SD-180560-001	<b>SHEET NO.</b> 1 OF 1	THIS DRAWING CONTAINS INFORMATION THAT IS PROPRIETARY TO MOLEX INCORPORATED AND SHOULD NOT BE USED WITHOUT WRITTEN PERMISSION	
		ANGULAR ± 1/2° DRAFT WHERE APPLICABLE MUST REMAIN WITHIN DIMENSIONS		APPROVED BY: DMCGOWAN DATE: 2012/08/17	<b>MATERIAL NO.</b> 1805600001						
				SIZE: B							