

Magnilite® Professional Magnifier



32400

Shadow White (Light Grey)

- ESD Safe
- **RoHS Compliant**
- Offered on exclusive Ultraflex® Heavy Duty Arm Assembly
- Exclusive **Full Spectrum** Lighting for **Lead-Free** Soldering
- Shadowless 8" circline bulb for even light dispersion
- Excellent 5" Round, Crown White Optical Glass
- Ergonomic Design for Maximum Comfort, Safety and Productivity
- Rigid Assembly and Inspection Standards
- Exclusive 10 year Lifetime Warranty
- 120 Volt UL / cUL; 230 Volt Available (CE)
- Many mounting styles to choose from (Table Clamp *shown above*, Screw Down, and Weighted Base)



O.C. White Co.
4226 Church St.
Thorndike, MA
01079

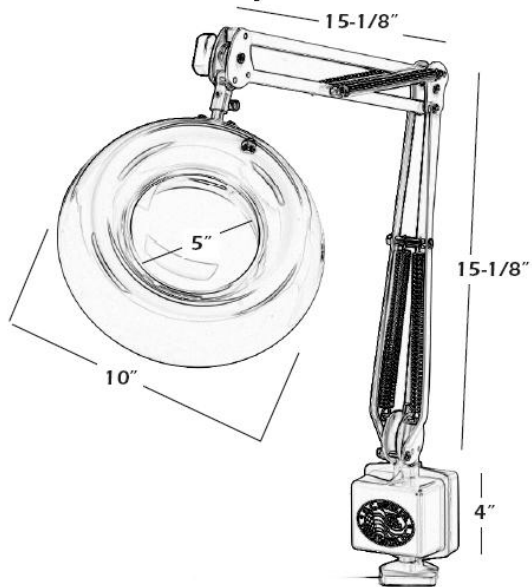
Contact Information
Sales: 413-289-1751
Tech: (888) OCWHITE
Fax: 413-289-1754
Email: info@ocwhite.com

WHITE LITES®
O.C. White Co.
Quality Since 1894

Technical Specifications

Power Requirement	120 volt (230 volt Available)
Color	Black, Black & Gold, Shadow White (Light Grey), or “Lead-Free” Green
RoHS Compliant	Yes
ESD Safe	Yes
Magnification	3 Diopter (1.75x); 5 Diopter Available (2.25x)
Warranty Period	10 Year Lifetime Mechanical; 1 Year Electrical
Approvals	UL / cUL & CE
Arm Reach	37” Overall Reach
Arm Style	Ultraflex® 1/2” Heavy Duty Assembly
Bulb Type	8” Full Spectrum Shadowless Circline Bulb
Color Temperature	5500° Kelvin Full Spectrum
Replacement Bulb	Only use OC White p/n 13367 “Full Spectrum Magnilite® Bulb”
Rated Service Life	Bulb rated for 7,500 hours before replacement
Mounting	Table Clamp Base Assembly

Mechanical Specs



13367 Full Spectrum Magnilite® Bulb

O.C. White Co.
4226 Church St.
Thorndike, MA
01079

Contact Information
Sales: 413-289-1751
Tech: (888) OCWHITE
Fax: 413-289-1754
Email: info@ocwhite.com

