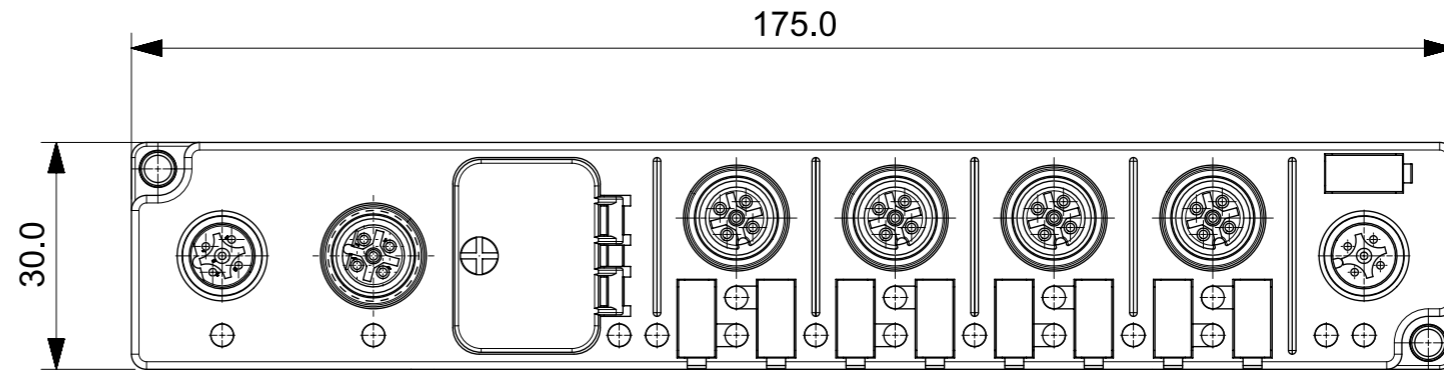
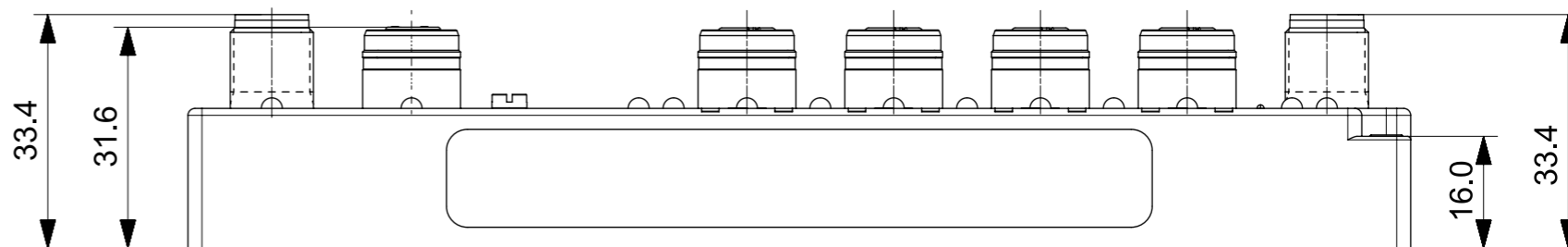


9 8 7 6 5 4 3 2 1

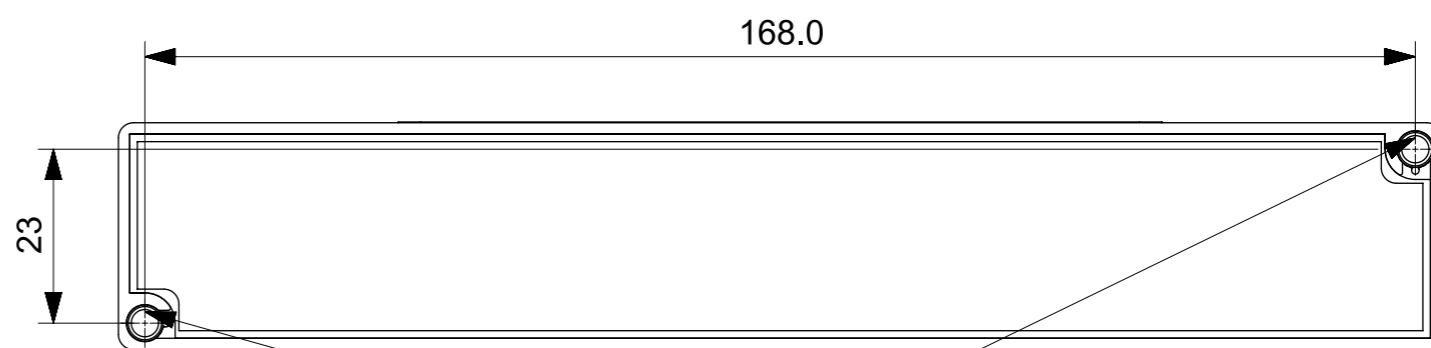
E



D

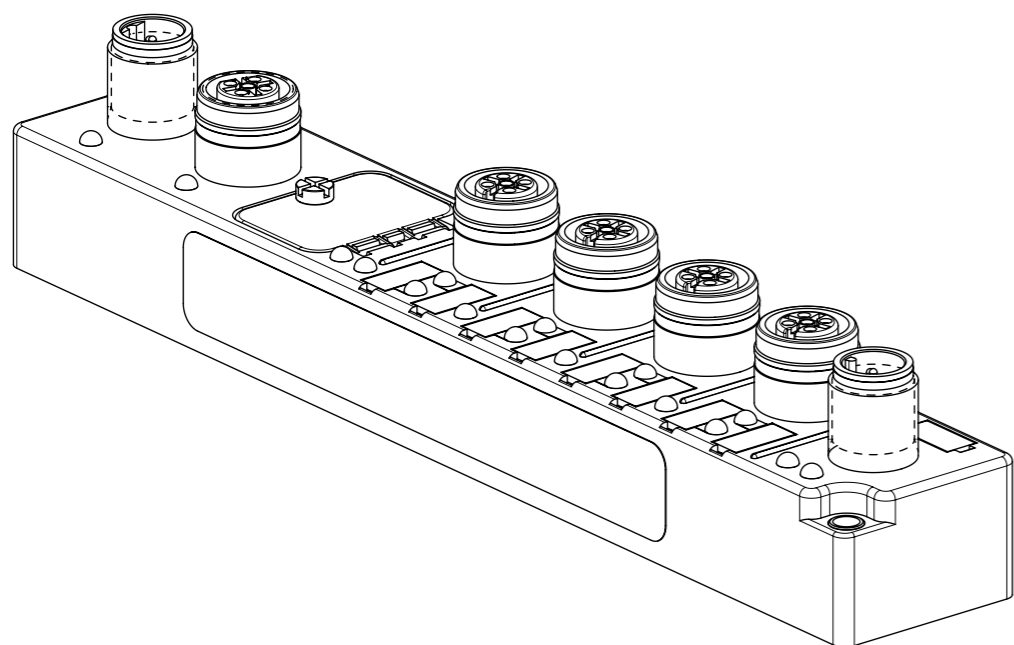


C



2x FIXING HOLES
SUITABLE FOR M4
SCREWS

B

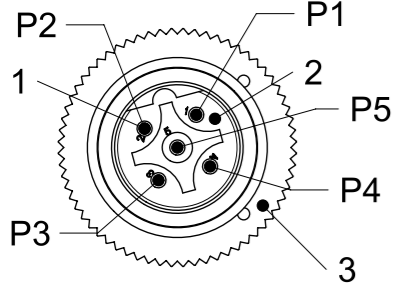


A

THIS DRAWING CONTAINS INFORMATION THAT IS PROPRIETARY TO MOLEX ELECTRONIC TECHNOLOGIES, LLC AND SHOULD NOT BE USED WITHOUT WRITTEN PERMISSION																
QUALITY SYMBOLS	2015/09/30	2015/10/23	GENERAL TOLERANCES (UNLESS SPECIFIED)			DIMENSION UNITS	SCALE									
			ANGULAR TOL ± °			MM	1:1									
▽A = 0	EC NO: 101496 DRWN: AAHLERS CHK'D: REV APPR: RSILLER	RSILLER	4 PLACES ±	DATE	DRWN BY		DBO PB 30 MM M12 5P MA BC U12 5P FE BC U12 5P 4PT FM AC M12 5P MA AC									
▽E = 0			3 PLACES ±		ULETTENMEIER							2015/01/26				
▽F = 0			2 PLACES ±	CHK'D BY		PRODUCT CUSTOMER DRAWING										
▼ = 0			1 PLACE ± 0.3	DATE							APPR BY		SERIES		MATERIAL NUMBER	
▽C = 0			0 PLACES ± 0.5	DRAFT WHERE APPLICABLE MUST REMAIN WITHIN DIMENSIONS		RSILLER		2015/05/20		112038		SEE TABLE 1		GENERAL MARKET		
⊗ = 0			DRAWING SIZE		THIRD ANGLE PROJECTION		A3		⊕		DOCUMENT NUMBER		DOC TYPE		DOC PART	
■ = 0	A3		⊕		A3		⊕		1120380003		PSD		000		1 OF 3	
▽ = 0																

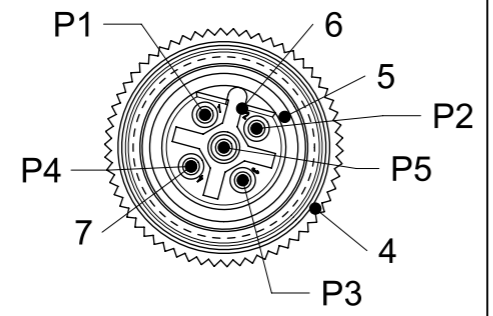
9 8 7 6 5 4 3 2 1

A
BUS:
1x MALE M12 5P B-CODE



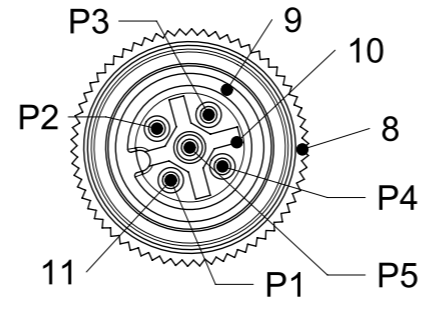
WIRING INFORMATION:
P1 - Power 5 VDC
P2 - BUS A
P3 - Ground
P4 - BUS B
P5 - Shield/PE

B
BUS:
1x FEMALE M12 5P B-CODE



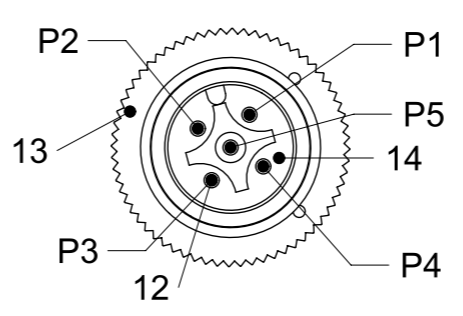
WIRING INFORMATION:
P1 - Power 5 VDC
P2 - BUS A
P3 - Ground
P4 - BUS B
P5 - Shield/PE

C
OUTPUT / OUTPUT:
4X FEMALE M12 5P A-CODE



WIRING INFORMATION:
P1 - +24VDC
P2 - B Input or Output
P3 - Ground
P4 - A Input or Output
P5 - Shield/PE

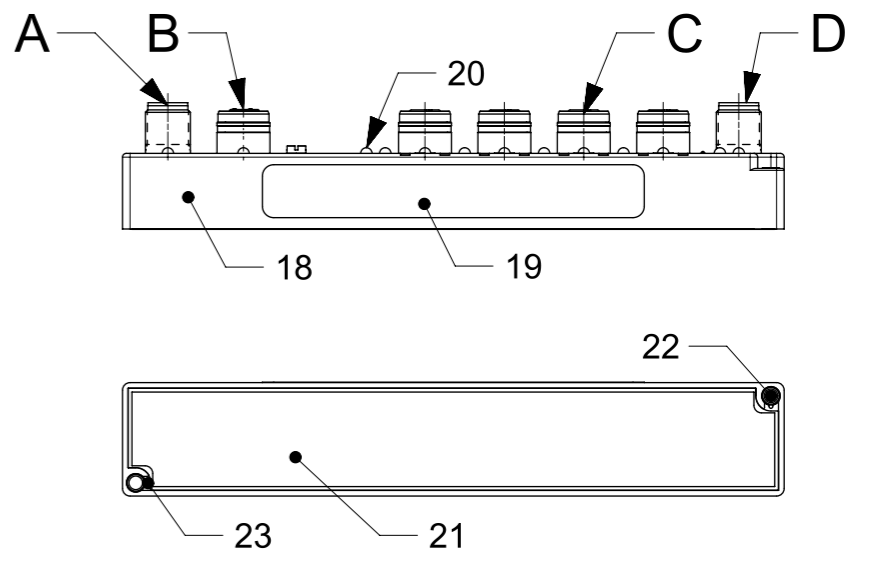
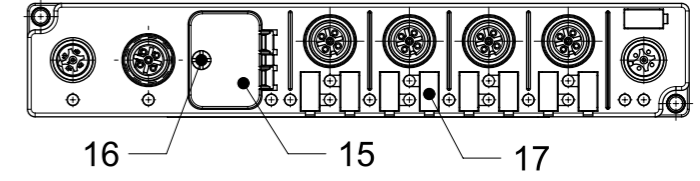
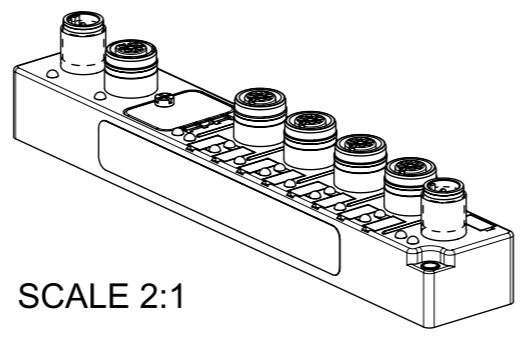
D
POWER:
1x MALE M12 5P AC-CODE



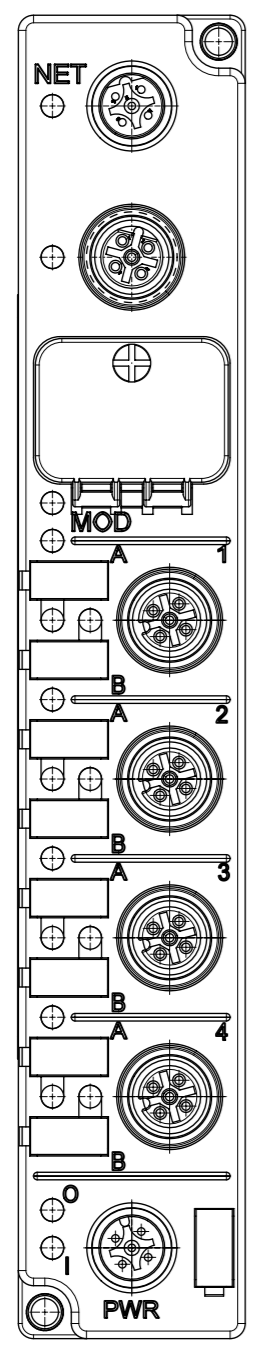
WIRING INFORMATION:
P1 - Module and Input power
P2 - Output power
P3 - Ground
P4 - Ground
P5 - Protected Earth

BILL OF MATERIAL

ITEM	DESCRIPTION	MATERIAL	FINISH
1	CONTACT	COPPER ALLOY	GOLD OVER NICKEL
2	INSERT	TPU	BLACK
3	SHELL	BRASS	NICKEL PLATET
4	SHELL	BRASS	NICKEL PLATET
5	GASKET	FPM	RED
6	INSERT	TPU	BLACK
7	CONTACT	COPPER ALLOY	GOLD OVER NICKEL
8	SHELL	BRASS	NICKEL PLATET
9	GASKET	FPM	RED
10	INSERT	PUR	BLACK
11	CONTACT	COPPER ALLOY	GOLD OVER NICKEL
12	CONTACT	COPPER ALLOY	GOLD OVER NICKEL
13	SHELL	BRASS	NICKEL PLATET
14	INSERT	TPU	BLACK
15	WINDOW	PC	TRANSPARENT
16	SCREW	V2A	V2A
17	LABEL	PC	WHITE
18	HOUSING	PBT	BLACK
19	LABEL	PVC	YELLOW
20	LED	PA	TRANSPARENT
21	LABEL	PVC	WHITE
22	SLEEVE	BRASS	NICKEL
23	RESIN	EPOXY	TRANSPARENT



QUALITY SYMBOLS ▽A = 0 ▽E = 0 ▽F = 0 ▽ = 0 ▽C = 0 ⊠ = 0 ■ = 0 ▽ = 0	THIS DRAWING CONTAINS INFORMATION THAT IS PROPRIETARY TO MOLEX ELECTRONIC TECHNOLOGIES, LLC AND SHOULD NOT BE USED WITHOUT WRITTEN PERMISSION		DIMENSION UNITS MM	SCALE 1:1	
	EC NO: 101496 DRWN: AAHLERS CHK'D: APPR: RSILLER	2015/09/30 2015/10/23	GENERAL TOLERANCES (UNLESS SPECIFIED) ANGULAR TOL ± ° 4 PLACES ± 3 PLACES ± 2 PLACES ± 1 PLACE ± 0.3 0 PLACES ± 0.5	DRWN BY ULETTENMEIER	
DRAFT WHERE APPLICABLE MUST REMAIN WITHIN DIMENSIONS		DRAWING SIZE A3	THIRD ANGLE PROJECTION	PRODUCT CUSTOMER DRAWING	
EC NO: 101496 DRWN: AAHLERS CHK'D: APPR: RSILLER		EC NO: 101496 DRWN: AAHLERS CHK'D: APPR: RSILLER	DRAWING SIZE A3	THIRD ANGLE PROJECTION	SERIES 112038
EC NO: 101496 DRWN: AAHLERS CHK'D: APPR: RSILLER		EC NO: 101496 DRWN: AAHLERS CHK'D: APPR: RSILLER	DRAWING SIZE A3	THIRD ANGLE PROJECTION	MATERIAL NUMBER SEE TABLE 1
EC NO: 101496 DRWN: AAHLERS CHK'D: APPR: RSILLER		EC NO: 101496 DRWN: AAHLERS CHK'D: APPR: RSILLER	DRAWING SIZE A3	THIRD ANGLE PROJECTION	CUSTOMER GENERAL MARKET
EC NO: 101496 DRWN: AAHLERS CHK'D: APPR: RSILLER		EC NO: 101496 DRWN: AAHLERS CHK'D: APPR: RSILLER	DRAWING SIZE A3	THIRD ANGLE PROJECTION	DOCUMENT NUMBER 1120380003
EC NO: 101496 DRWN: AAHLERS CHK'D: APPR: RSILLER		EC NO: 101496 DRWN: AAHLERS CHK'D: APPR: RSILLER	DRAWING SIZE A3	THIRD ANGLE PROJECTION	DOC TYPE PSD
EC NO: 101496 DRWN: AAHLERS CHK'D: APPR: RSILLER		EC NO: 101496 DRWN: AAHLERS CHK'D: APPR: RSILLER	DRAWING SIZE A3	THIRD ANGLE PROJECTION	DOC PART 000
EC NO: 101496 DRWN: AAHLERS CHK'D: APPR: RSILLER		EC NO: 101496 DRWN: AAHLERS CHK'D: APPR: RSILLER	DRAWING SIZE A3	THIRD ANGLE PROJECTION	SHEET NUMBER 2 OF 3



UNIVERSAL PRINTING

TABLE 1 UNIVERSAL PRINTING					
		PROFIBUS			
POWER TYPE	INPUT / OUTPUT	ENG.NO.	MOLEX P/N	3D MODEL NO.	
M12 MALE 5P	NPN	8I	TBDPB-480N-B8U	1120380009	
		6I/2O	TBDPB-462N-B8U	1120380007	
		4I/4O	TBDPB-444N-B8U	1120380005	
	PNP	8I	TBDPB-480P-B8U	1120380011	1120380003 (PDM)
		6I/2O	TBDPB-462P-B8U	1120380008	
		4I/4O	TBDPB-444P-B8U	1120380006	
	8O	TBDPB-408P-B8U	1120380003		

QUALITY SYMBOLS ▽A = 0 ▽E = 0 ▽F = 0 ▼ = 0 ▽C = 0 ⊗ = 0 ■ = 0 ▽ = 0	THIS DRAWING CONTAINS INFORMATION THAT IS PROPRIETARY TO MOLEX ELECTRONIC TECHNOLOGIES, LLC AND SHOULD NOT BE USED WITHOUT WRITTEN PERMISSION										
	EC NO: 101496 DRWN: AAHLERS CHK'D: APPR: RSILLER	2015/09/30 2015/10/23	GENERAL TOLERANCES (UNLESS SPECIFIED)		DIMENSION UNITS	SCALE					
			ANGULAR TOL ± °		MM	1:1					
			4 PLACES ±	DRWN BY		DATE					
			3 PLACES ±	ULETTENMEIER		2015/01/26					
			2 PLACES ±	CHK'D BY		DATE					
	1 PLACE ± 0.3	APPR BY		DATE		PRODUCT CUSTOMER DRAWING					
	0 PLACES ± 0.5	RSILLER		2015/05/20							
	DRAFT WHERE APPLICABLE MUST REMAIN WITHIN DIMENSIONS		DRAWING SIZE	THIRD ANGLE PROJECTION			SERIES	MATERIAL NUMBER	CUSTOMER		
			A3				112038	SEE TABLE 1	GENERAL MARKET		
		REV				DOCUMENT NUMBER	DOC TYPE	DOC PART	SHEET NUMBER		
		A3				1120380003	PSD	000	3 OF 3		