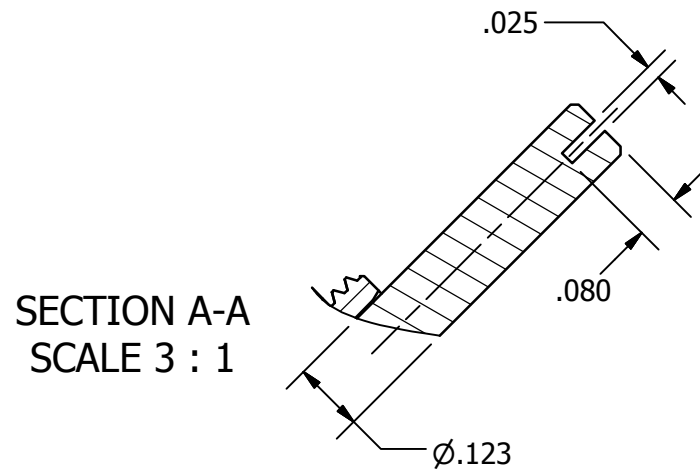
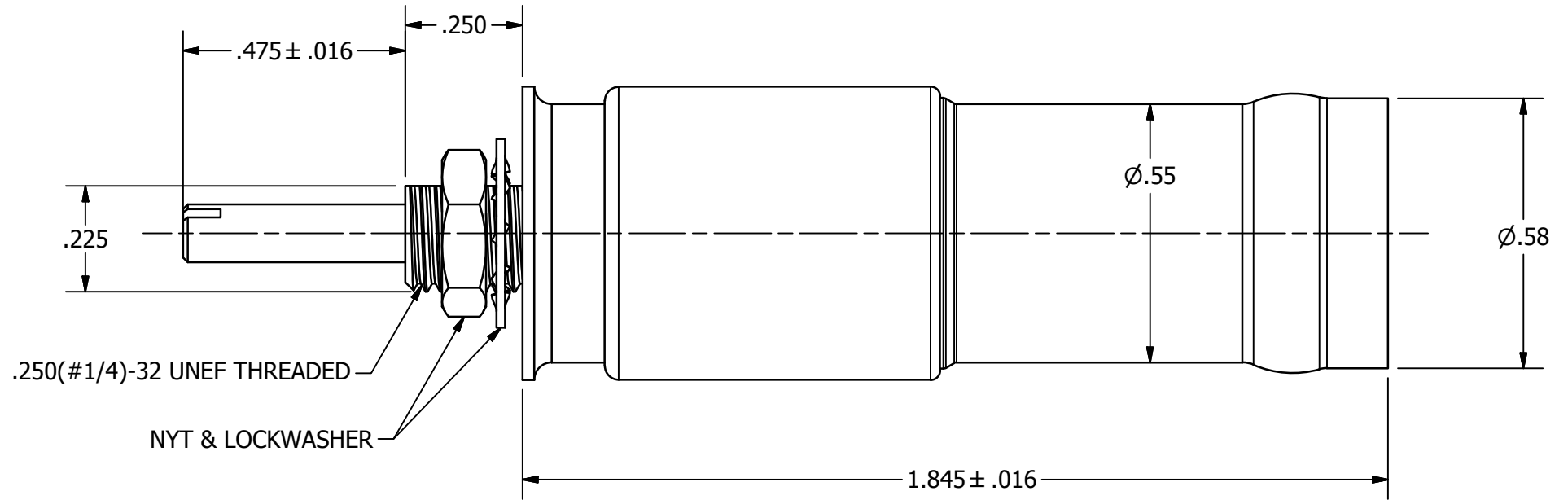
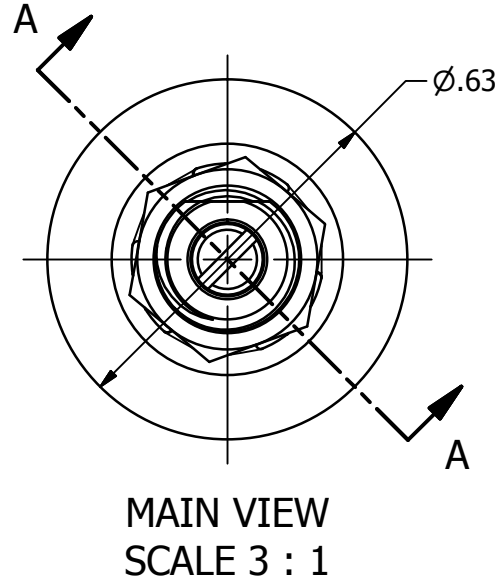


NOTES:

1. INTERPRET DRAWING PER ANSI Y14.5M-1994.
2. ELECTRICAL SPECIFICATIONS:
 - 2.1. CAPACITANCE RANGE: 3.0 [pF] TO 23.0 [pF].
 - 2.2. DC WORKING VOLTAGE AT 23.0 [pF]: 6000 [VOLTS].
 - 2.3. DC WITHSTANDING VOLTAGE AT 23.0 [pF]: 12000 [VOLTS].
 - 2.4. Q FACTOR AT 25 [MHz] AND 23.0 [pF]: 2000 MIN.
 - 2.5. INSULATION RESISTANCE: 10^6 [MEGAOHMS] AT 25°C.
 - 2.6. TEMPERATURE COEFFICIENT N/A \pm N/A [PPM/°C].
3. MECHANICAL SPECIFICATIONS:
 - 3.1. TUNING TORQUE: 0.5 [in·oz] TO 4.0 [in·oz].
 - 3.2. ROTATIONAL LIFE: 600 TURNS MIN.
 - 3.3. CONSTRUCTION: SEALED; NON-MAGNETIC.
4. ENVIRONMENTAL:
 - 4.1. OPERATING TEMPERATURE: -55°C TO +125°C.
 - 4.2. VIBRATION: N/Ag AT N/A[Hz].
 - 4.3. SHOCK: N/Ag BY N/A [MILLISECONDS].
 - 4.4. GROSS LEAK: 40 [PSI] MIN.

REVISION HISTORY					
ECO#	ZONE	REV	DESCRIPTION	DRAWN	APPROVED
		-	INITIAL RELEASE	AS 08/31/10	AG
		A	REDESIGNED, ϕ .57, ϕ .55, ϕ .63, 1.845 WERE ϕ .45, ϕ .42, ϕ .50, 2.305	AS 09/22/10	AG
		B	ADDED KRYTOX	AS 07/12/11	AG
		C	KRYTOX REMOVED, ADDED AC VOLTAGE	AS 08/23/11	AG
1057	ALL	D	PRODUCT REDESIGN TO DELIVER 31 TURNS THRU CAPACITY RANGE; CUSTOM SHAFT ADDED.	EC 02/07/12	TD
1293	ALL	E	DESIGN ROLLBACK TO PRE V2809 STATUS (PRE 31 TURNS DESIGN)	EC 09/16/13	TD 09/18/13



MATERIAL	N/A	DRAWN	E. CONTRERAS	9/16/2013
FINISH	N/A	CHECKED	T. BYRNE	9/17/2013
TOLERANCES	SURFACE FINISH	QUALITY ASSURANCE	L. STRANG	9/18/2013
		MANUFACTURING	F. KHALIFEH	9/17/2013
3RD ANGLE PROJECTION		ENGINEERING	T. DOLAN	9/18/2013
		CUSTOMER PART NUMBER		
INVENTOR 2013 GENERATED DWG				

DLI • Novacap • Syfer • Voltronics

VOLTRONICS
THE TRIMMER CAPACITOR COMPANY
2250 NORTHWOOD DRIVE
SALISBURY, MARYLAND 21801

OUTLINE DWG FOR NMNT23-12ENL

SIZE	CAGE CODE	PART NUMBER	REV
B	18736	NMNT23-12ENL	E
SCALE	PER VIEW	DWG NO.	SHEET 1 OF 1
		V-71002	