

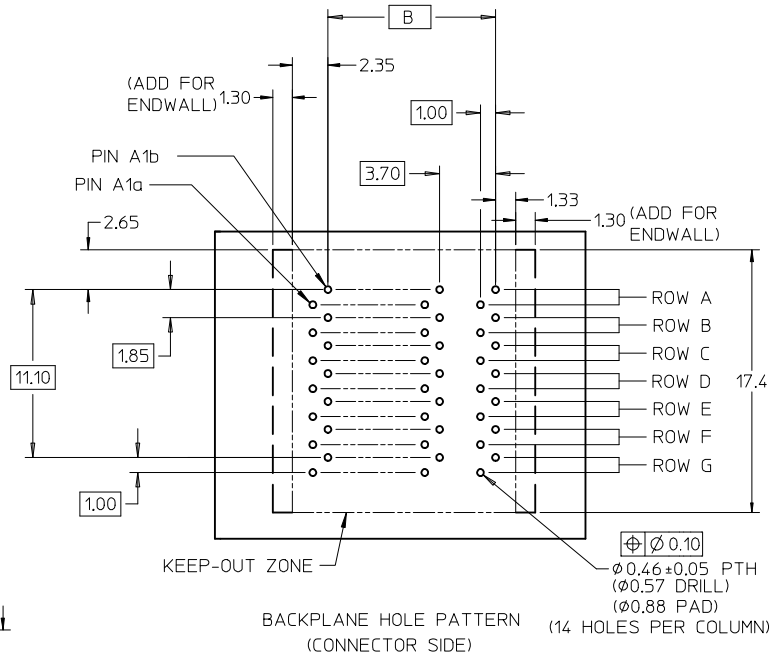
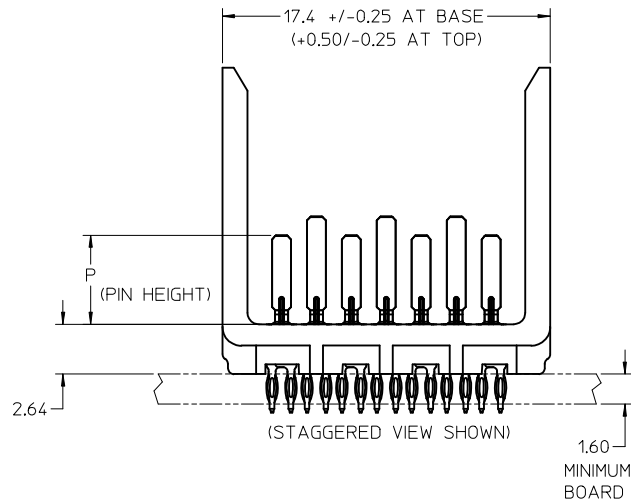
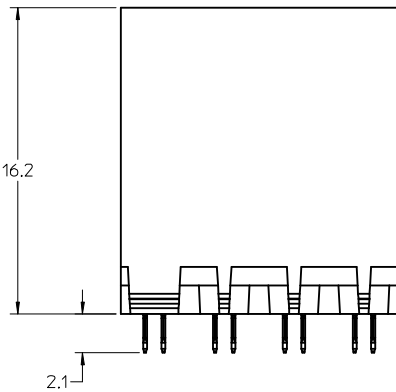
76015-\*\*\*\*

MODULE TYPE -- TAIL PLATING TYPE  
 UNGUIDED -- TIN ONLY = 0 (PREVIOUSLY TIN/LEAD)  
 UNGUIDED -- TIN ONLY = 1

# OF COLUMNS  
 4 = 4 COL  
 6 = 6 COL  
 1 = 10 COL

PART STYLE  
 0 = OPEN ENDS  
 1 = LEFT END WALL  
 2 = DUAL END WALL  
 3 = RIGHT END WALL

PIN LENGTH (P)  
 2 = 3.90 - 30 GOLD  
 3 = 4.70 - 30 GOLD  
 4 = 5.70 - 30 GOLD  
 5 = 4.70 & 5.70 - 30 GOLD STAGGERED  
 6 = 3.90 - 10 GOLD  
 7 = 4.70 - 10 GOLD  
 8 = 5.70 - 10 GOLD  
 9 = 4.70 & 5.70 - 10 GOLD STAGGERED



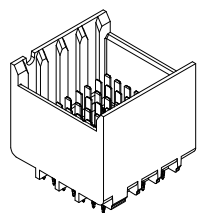
NOTES:

1. MATERIALS: HOUSING - LIQUID CRYSTAL POLYMER (LCP) GLASS-FILLED, UL94V-0  
 TERMINALS - HIGH PERFORMANCE COPPER ALLOY
2. FINISH: 10 MICROINCH MINIMUM GOLD OR 30 MICROINCH MINIMUM GOLD IN CONTACT AREA. SELECTIVE MATTE TIN ON PCB TAILS, NICKEL OVERALL.
3. REFER TO MOLEX PRODUCT SPECIFICATION PS-75710-999 FOR PERFORMANCE SPECIFICATIONS.
4. FOR MIXED CONTACT MATING LENGTHS, CONSULT MOLEX FOR AVAILABILITY.
5. THIS PART CONFORMS TO CLASS B REQUIREMENTS OF MOLEX COSMETIC SPEC PS-45499-002
6. PACKAGE PER: PK-70873-802.
7. REFER TO PCB ROUTING GUIDE FOR ANTIPAD AND ROUTING RECOMMENDATIONS.

|   |                     |  |   |  |                    |  |                                  |                                     |                            |
|---|---------------------|--|---|--|--------------------|--|----------------------------------|-------------------------------------|----------------------------|
| <b>LEADFREE CONVERTER.</b><br>EC NO: UCP2013-1898<br>TDR:WMP/POFF 2012/11/12<br>CHKD:MMOLFE 2012/11/12<br>APPR:SMILLER 2012/12/21<br>REY: | QUALITY SYMBOLS<br> | GENERAL TOLERANCES (UNLESS SPECIFIED)  |   | DIMENSION STYLE<br><b>MM ONLY</b>  |                    | SCALE<br><b>5:1</b>  | DESIGN UNITS<br><b>METRIC</b>    | THIRD ANGLE PROJECTION              |                            |
|   |                     | 4 PLACES ± --- + ---<br>3 PLACES ± --- ± ---<br>2 PLACES ± 0.13 ± ---<br>1 PLACE ± 0.25 ± ---<br>0 PLACE ± ± | mm INCH<br>± --- ± ---<br>± 0.13 ± ---<br>± 0.25 ± ---<br>± ± | DRAWN BY<br>BPISZCZOR  | DATE<br>2007/01/25 | TITLE<br><b>I-TRAC BACKPLANE 7 ROW<br/>         UNGUIDED ASSEMBLY<br/>         SALES DRAWING</b> | MATERIAL NO.<br><b>SEE TABLE</b> | DOCUMENT NO.<br><b>SD-76015-001</b> | SHEET NO.<br><b>1 OF 4</b> |
|   |                     | ANGULAR ±1/2°  |   | APPROVED BY<br>CBIXLER   |                    | DATE<br>2007/02/06   |                                  | <b>molex</b>                        |                            |
|   |                     | DRAFT WHERE APPLICABLE MUST REMAIN WITHIN DIMENSIONS   |   | THIS DRAWING CONTAINS INFORMATION THAT IS PROPRIETARY TO MOLEX. INCORPORATED AND SHOULD NOT BE USED WITHOUT WRITTEN PERMISSION |                    |  |                                  |                                     |                            |

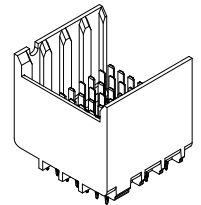
| MATERIAL NUMBER | # OF COLUMNS | DIM "A" | DIM "B" |
|-----------------|--------------|---------|---------|
| 76015-*42*      | 4            | 17.3    | 11.10   |
| 76015-*62*      | 6            | 24.7    | 18.50   |
| 76015-*12*      | 10           | 39.5    | 33.30   |

DUAL END STYLE



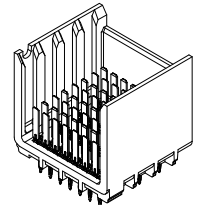
| MATERIAL NUMBER | # OF COLUMNS | DIM "A" | DIM "B" |
|-----------------|--------------|---------|---------|
| 76015-*41*      | 4            | 16.0    | 11.10   |
| 76015-*61*      | 6            | 23.4    | 18.50   |
| 76015-*11*      | 10           | 38.2    | 33.30   |

LEFT END STYLE



| MATERIAL NUMBER | # OF COLUMNS | DIM "A" | DIM "B" |
|-----------------|--------------|---------|---------|
| 76015-*43*      | 4            | 16.0    | 11.10   |
| 76015-*63*      | 6            | 23.4    | 18.50   |
| 76015-*13*      | 10           | 38.2    | 33.30   |

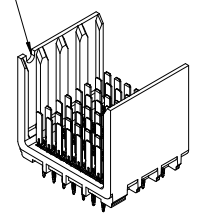
RIGHT END STYLE



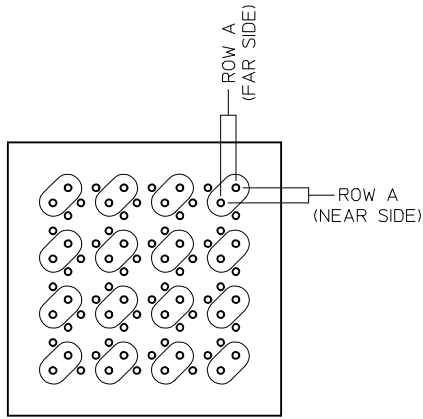
| MATERIAL NUMBER | # OF COLUMNS | DIM "A" | DIM "B" |
|-----------------|--------------|---------|---------|
| 76015-*40*      | 4            | 14.7    | 11.10   |
| 76015-*60*      | 6            | 22.1    | 18.50   |
| 76015-*10*      | 10           | 36.9    | 33.30   |

OPEN END STYLE

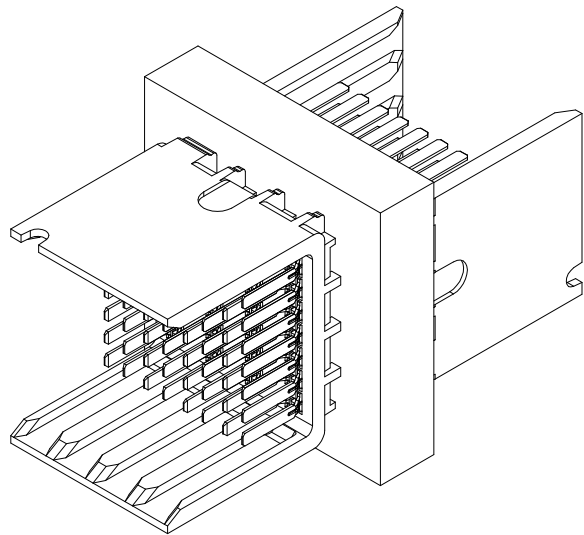
NOTCH DESIGNATES ROW A



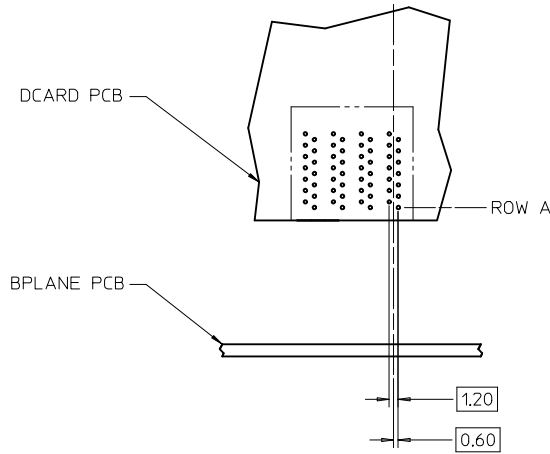
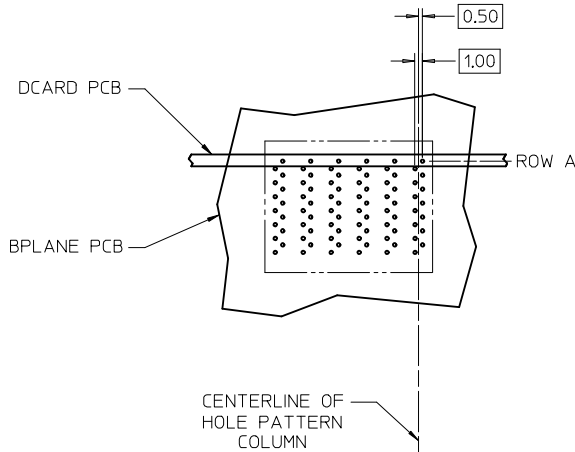
|   |                                      |                                       |             |                                   |                                  |              |   |                        |  |  |
|---|--------------------------------------|---------------------------------------|-------------|-----------------------------------|----------------------------------|--------------|---|------------------------|--|--|
| SEE SHEET 1<br>EC NO: UCP2013-1898<br>TIDRW:MP0FF 2012/11/12<br>CHKD:MMOLFE 2012/11/12<br>APPR:SMILLER 2012/12/21             | QUALITY SYMBOLS<br>▽=0<br>▽=0<br>▽=0 | GENERAL TOLERANCES (UNLESS SPECIFIED) |             | DIMENSION STYLE<br><b>MM ONLY</b> |                                  | SCALE<br>4:1 | DESIGN UNITS<br>METRIC  | THIRD ANGLE PROJECTION |  |  |
|   |                                      | 4 PLACES                              | ± ---       | ± ---                             | DRAWN BY                         | DATE         | TITLE<br><b>I-TRAC BACKPLANE 7 ROW<br/>                 UNGUIDED ASSEMBLY<br/>                 SALES DRAWING</b><br><br><b>molex</b><br><br>DOCUMENT NO. SD-76015-001<br>SHEET NO. 2 OF 4 |                        |  |  |
|   |                                      | 3 PLACES                              | ± ---       | ± ---                             | CHECKED BY                       | DATE         |   |                        |  |  |
|   |                                      | 2 PLACES                              | ± 0.13      | ± ---                             | JLAURX                           | 2007/02/06   |   |                        |  |  |
| 1 PLACE   | ± 0.25                               | ± ---                                 | APPROVED BY | DATE                              |                                  |              |   |                        |  |  |
| 0 PLACE   | ±                                    | ±                                     | CBIXLER     | 2007/02/06                        | MATERIAL NO.<br><b>SEE TABLE</b> |              |   |                        |  |  |
| DRAFT WHERE APPLICABLE MUST REMAIN WITHIN DIMENSIONS  |                                      |                                       |             | ANGULAR ±1/2°                     |                                  |              |   |                        |  |  |
| THIS DRAWING CONTAINS INFORMATION THAT IS PROPRIETARY TO MOLEX INCORPORATED AND SHOULD NOT BE USED WITHOUT WRITTEN PERMISSION |                                      |                                       |             |                                   |                                  |              |   |                        |  |  |



ORTHOGONAL MIDPLANE HOLE PATTERN  
(16 SIGNAL PAIRS SHARE VIAS)

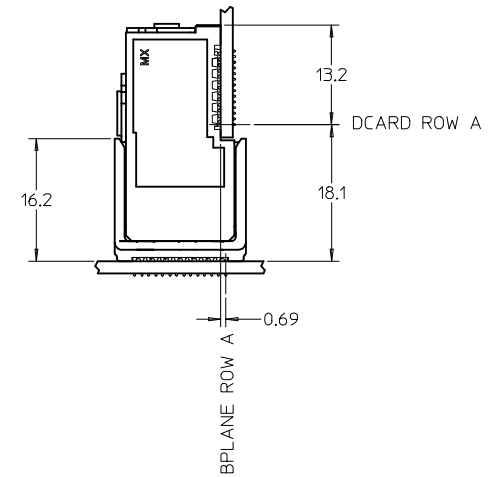


16 PAIR ORTHOGONAL MIDPLANE NODE  
(USES TWO 4 COLUMN 7 ROW HEADERS)

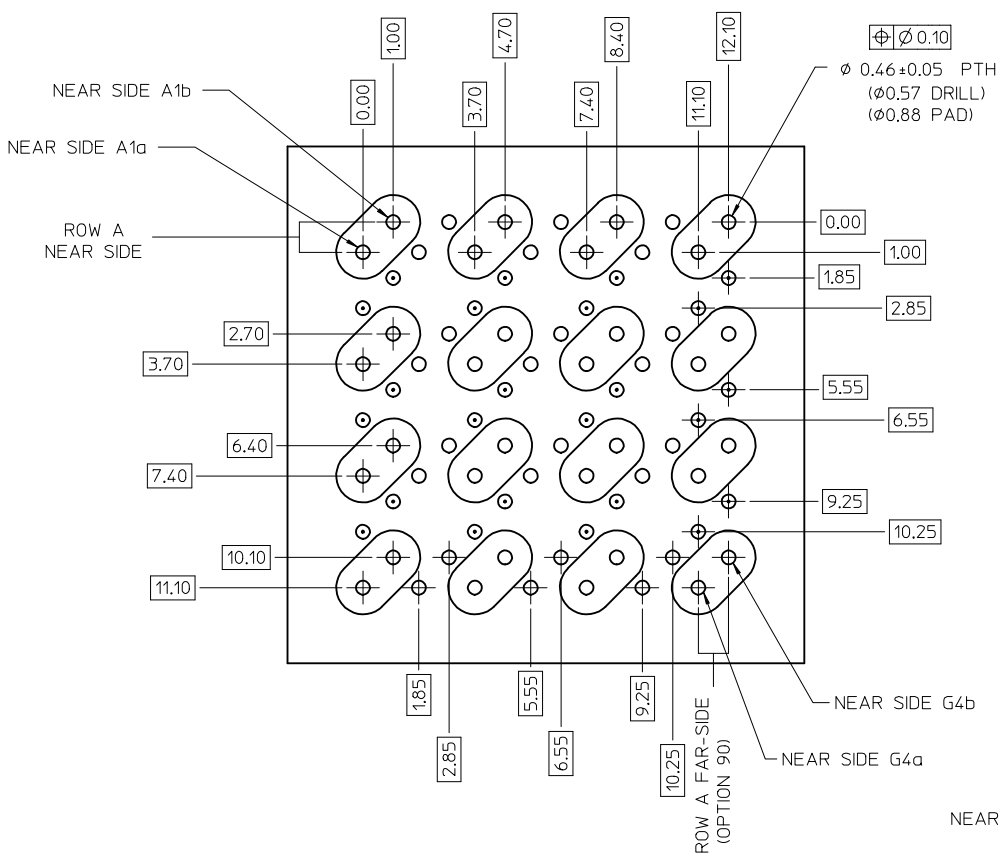


7 ROW I-TRAC  
BOARD RELATIONSHIPS

SCALE 2:1



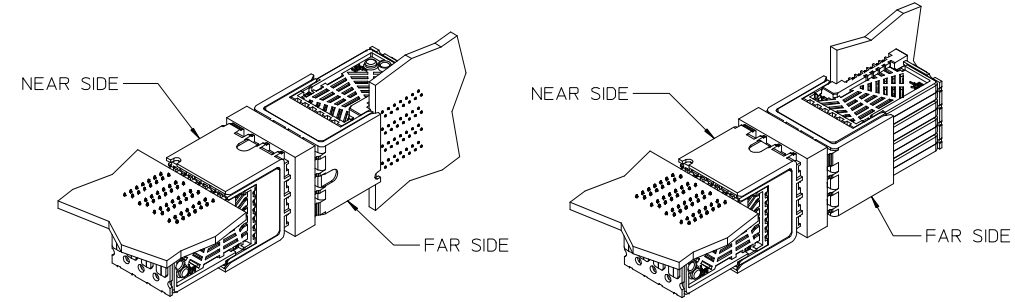
|   |  |                                       |                        |                                   |  |                               |   |
|---|--|---------------------------------------|------------------------|-----------------------------------|--|-------------------------------|---|
| SEE SHEET 1<br>EC NO: UCP2013-1898<br>TIDRW:MPOFF 2012/11/12<br>CHKD:MWLF 2012/11/12<br>APPR:SMILLER 2012/12/21 | QUALITY SYMBOLS<br>∇=0<br>∇=0<br>∇=0                 | GENERAL TOLERANCES (UNLESS SPECIFIED) |                        | DIMENSION STYLE<br><b>MM ONLY</b> | SCALE<br><b>4:1</b>  | DESIGN UNITS<br><b>METRIC</b> | THIRD ANGLE PROJECTION  |
|   |  | 4 PLACES ± --- ± ---                  | DRAWN BY<br>BPISZCZOR  | DATE<br>2007/01/25                | TITLE<br><b>I-TRAC BACKPLANE 7 ROW<br/>                 UNGUIDED ASSEMBLY<br/>                 SALES DRAWING</b> |                               |   |
|   |  | 3 PLACES ± --- ± ---                  | CHECKED BY<br>JLAURX   | DATE<br>2007/02/06                | DOCUMENT NO.<br><b>SD-76015-001</b>  |                               |   |
|   |  | 2 PLACES ± 0.13 ± ---                 | APPROVED BY<br>CBIXLER | DATE<br>2007/02/06                | SHEET NO.<br>3 OF 4  |                               |   |
| 1 PLACE ± 0.25 ± ---  | ANGULAR ±1/2°  |                                       | MATERIAL NO.           |                                   | SEE TABLE  |                               | THIS DRAWING CONTAINS INFORMATION THAT IS PROPRIETARY TO MOLEX INCORPORATED AND SHOULD NOT BE USED WITHOUT WRITTEN PERMISSION |
| 0 PLACE ± ±   | DRAFT WHERE APPLICABLE MUST REMAIN WITHIN DIMENSIONS |                                       | SIZE<br>C              |                                   |  |                               |   |



Orthogonal PCB Layout

| ORTHO PIN MAPPING                |         |         |         |
|----------------------------------|---------|---------|---------|
| OPTION 90 (NEAR SIDE - FAR SIDE) |         |         |         |
| A1b-G4b                          | A2b-E4b | A3b-C4b | A4b-A4b |
| A1a-G4a                          | A2a-E4a | A3a-C4a | A4a-A4a |
| C1b-G3b                          | C2b-E3b | C3b-C3b | C4b-A3b |
| C1a-G3a                          | C2a-E3a | C3a-C3a | C4a-A3a |
| E1b-G2b                          | E2b-E2b | E3b-C2b | E4b-A2b |
| E1a-G2a                          | E2a-E2a | E3a-C2a | E4a-A2a |
| G1b-G1b                          | G2b-E1b | G3b-C1b | G4b-A1b |
| G1a-G1a                          | G2a-E1a | G3a-C1a | G4a-A1a |

| ORTHO PIN MAPPING                 |         |         |         |
|-----------------------------------|---------|---------|---------|
| OPTION 270 (NEAR SIDE - FAR SIDE) |         |         |         |
| A1b-A1a                           | A2b-C1a | A3b-E1a | A4b-G1a |
| A1a-A1b                           | A2a-C1b | A3a-E1b | A4a-G1b |
| C1b-A2a                           | C2b-C2a | C3b-E2a | C4b-G2a |
| C1a-A2b                           | C2a-C2b | C3a-E2b | C4a-G2b |
| E1b-A3a                           | E2b-C3a | E3b-E3a | E4b-G3a |
| E1a-A3b                           | E2a-C3b | E3a-E3b | E4a-G3b |
| G1b-A4a                           | G2b-C4a | G3b-E4a | G4b-G4a |
| G1a-A4b                           | G2a-C4b | G3a-E4b | G4a-G4b |



OPTION 90

OPTION 270

NOTES:



SIGNAL PAIRS (SHARED VIAS)

○ NEAR SIDE GROUNDS

○ FAR SIDE GROUNDS

|   |                      |                                       |   |                        |              |                        |
|---|----------------------|---------------------------------------|---|------------------------|--------------|------------------------|
| SEE SHEET 1<br>EC NO: UCP2013-1898<br>TDRWINPOFF 2012/11/12<br>CHKD:WOLFE 2012/11/12<br>APPR:SMILLER 2012/12/21 | QUALITY SYMBOLS      | GENERAL TOLERANCES (UNLESS SPECIFIED) | DIMENSION STYLE   | SCALE                  | DESIGN UNITS | THIRD ANGLE PROJECTION |
|   | ▽=0                  | mm INCH                               | MM ONLY   | 4:1                    | METRIC       |                        |
|   | ▽=0                  | 4 PLACES ± --- ± ---                  | DRAWN BY DATE   | TITLE                  |              |                        |
|   | ▽=0                  | 3 PLACES ± --- ± ---                  | BPISZCZOR 2007/01/25  | I-TRAC BACKPLANE 7 ROW |              |                        |
|   | ▽=0                  | 2 PLACES ± 0.13 ± ---                 | CHECKED BY DATE   | UNGUIDED ASSEMBLY      |              |                        |
|   | 1 PLACE ± 0.25 ± --- | JLAURX 2007/02/06                     | SALES DRAWING   |                        |              |                        |
|   | 0 PLACE ± ±          | APPROVED BY DATE                      | molex   |                        |              |                        |
|   |                      | CBIXLER 2007/02/06                    | MATERIAL NO.  | DOCUMENT NO.           | SHEET NO.    |                        |
|   |                      |                                       | SEE TABLE   | SD-76015-001           | 4 OF 4       |                        |
|   |                      |                                       | THIS DRAWING CONTAINS INFORMATION THAT IS PROPRIETARY TO MOLEX INCORPORATED AND SHOULD NOT BE USED WITHOUT WRITTEN PERMISSION |                        |              |                        |