

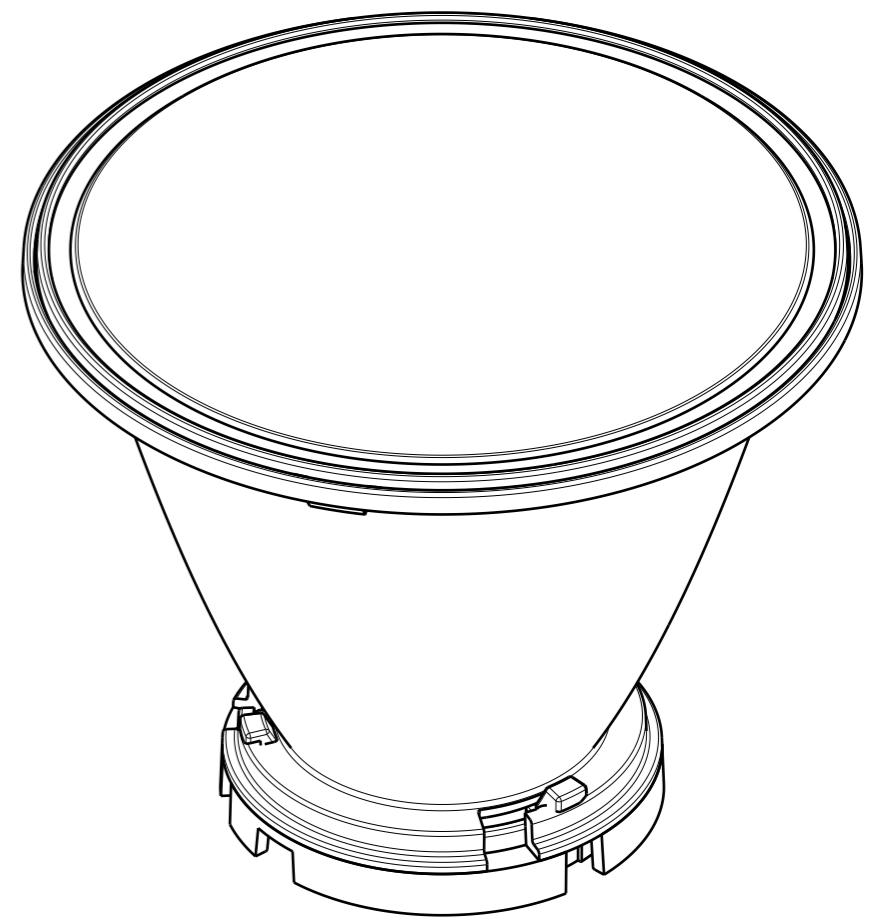
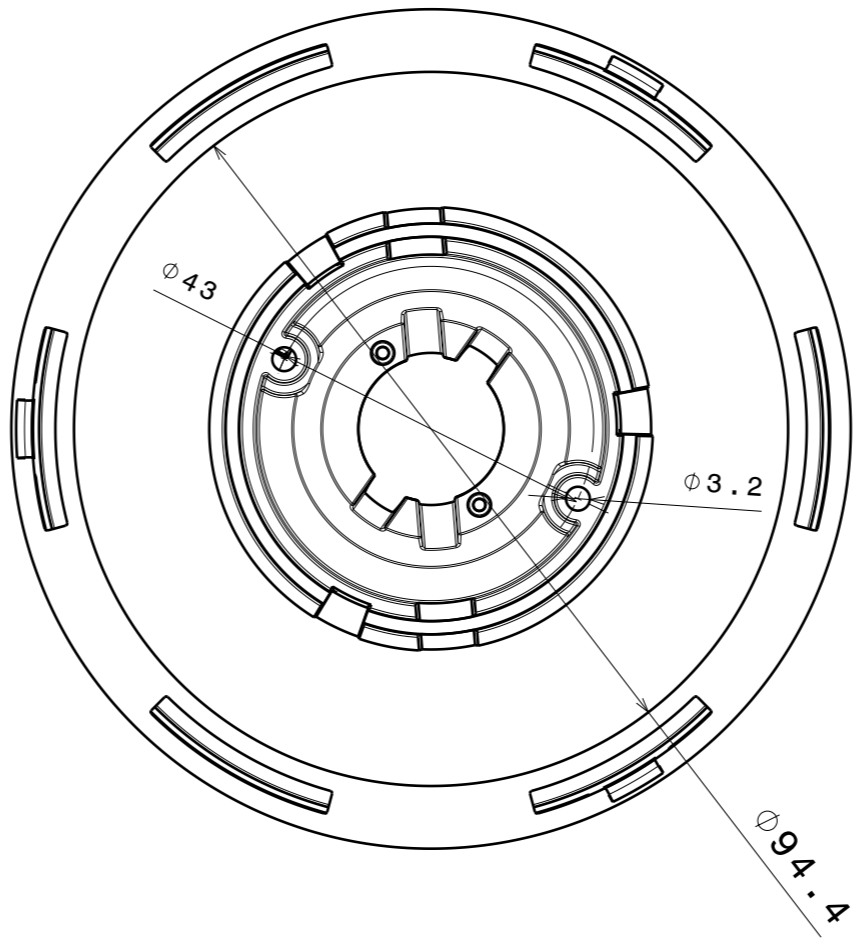
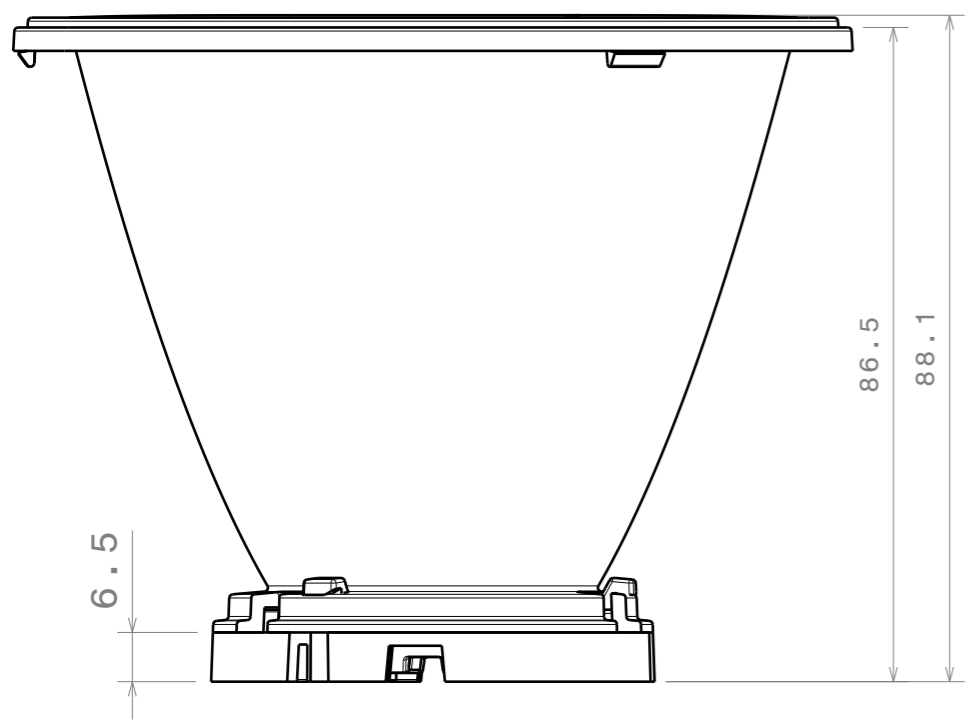
DETAILS

Product Number	CN12930_LENA-M-DL
Family	Lena
Type	RefPack
Color	metal
Diameter	111 mm
Height	88,1 mm
Style	round
Optic Material	PC
Holder Material	
Fastening	screw, socket
Status	production ready
ROHS Compliant	Yes
Date Updated	23/02/2014

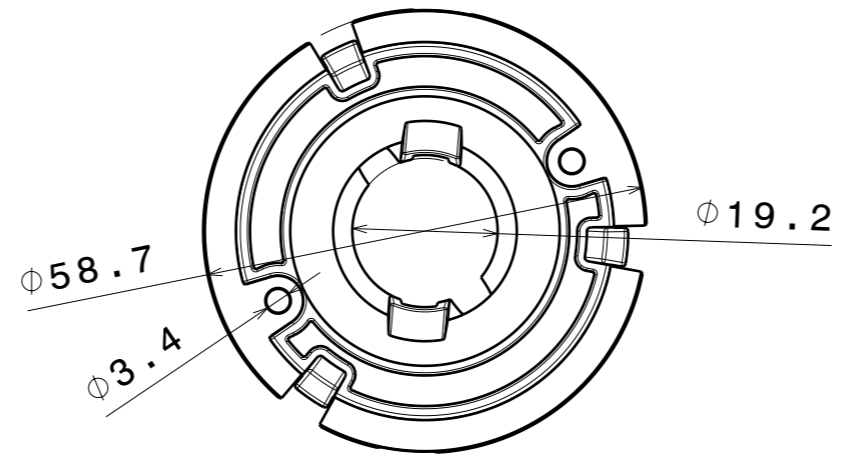
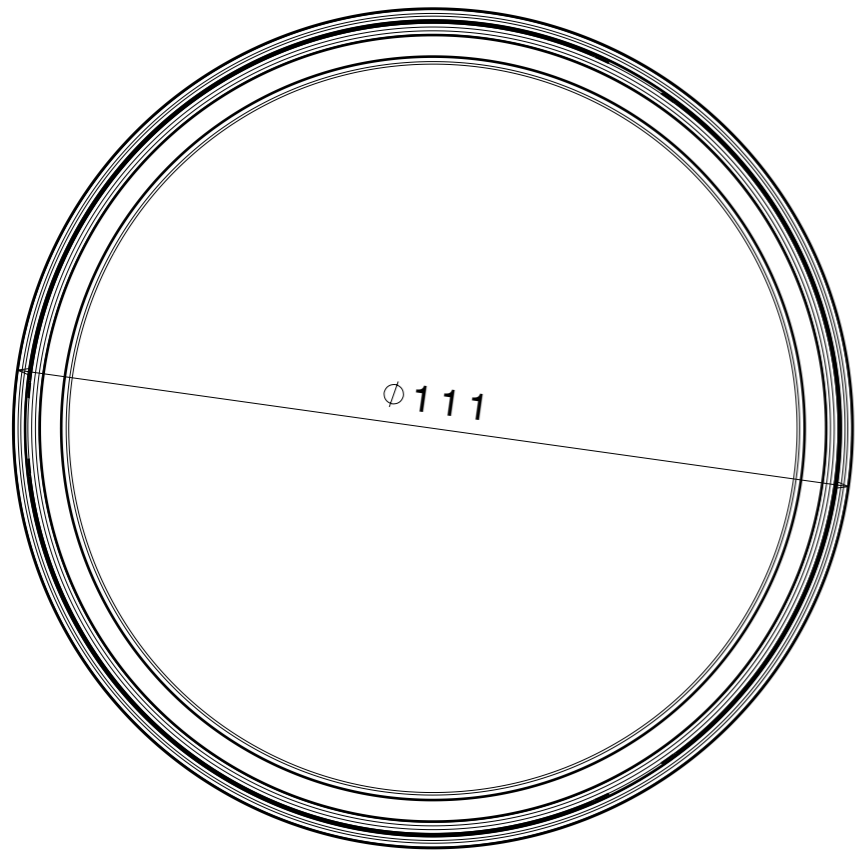
OPTICAL PROPERTIES

LED	Viewing Angle	Light Beam	Effi- ciency	cd/lm	Connector
LUXEON K12	21 deg	Medium	74 %	4.000	-
LUXEON K16	22 deg	Medium	72 %	3.450	-





Isometric view

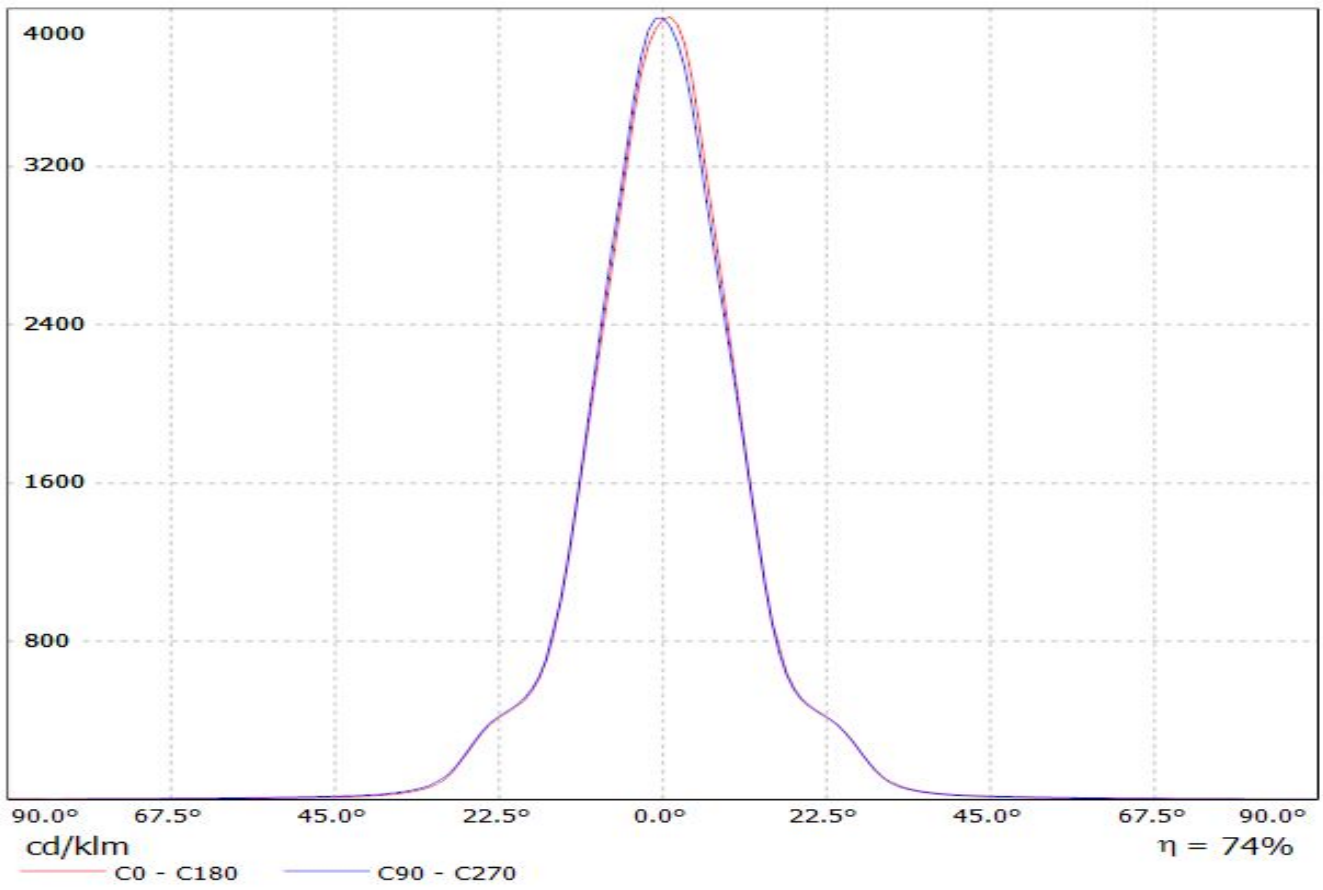


- Material:
- subLens
 - PC
 - Reflector
 - PC
 - Metal coating and clear lacquer
 - Holder base
 - PC
 - Color white

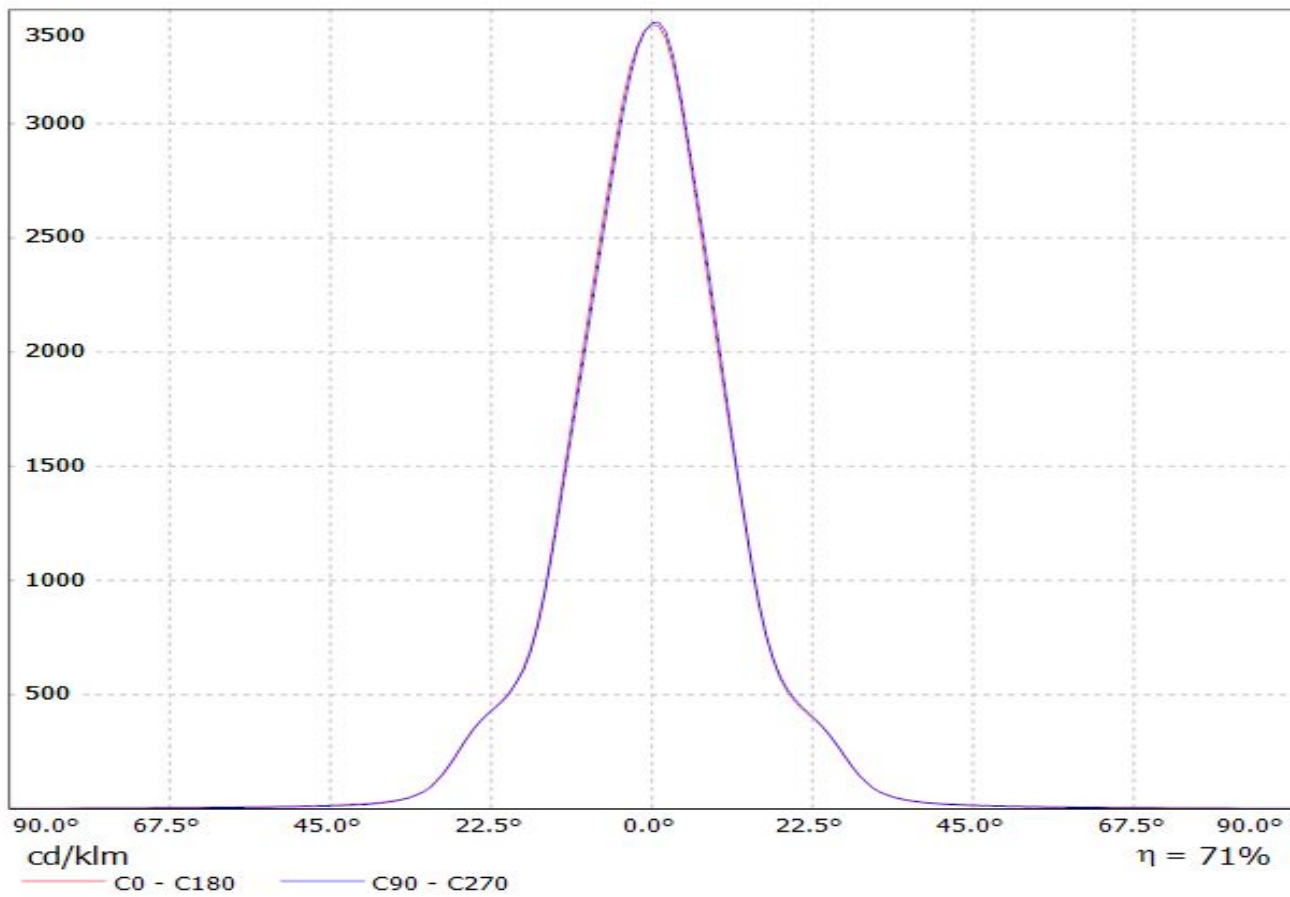
Base part designed for
Philips Lumileds LUXEON K, 12up and 16up versions

This drawing is our property. It can't be reproduced or communicated without our written agreement.		 Ledil Oy Salorankatu 10 FIN 24240 SALO Finland	
DRAWING TITLE		Part Drawing	
DRAWN BY	DATE	LENA-LUXEON-K Mechanical drawing	
as	3.8.2012	SIZE	REV
CHECKED BY	DATE	A3	001
VS	3.8.2012	SCALE	WEIGHT
DESIGNED BY	DATE	1:1	SHEET 1/1
p1	-		

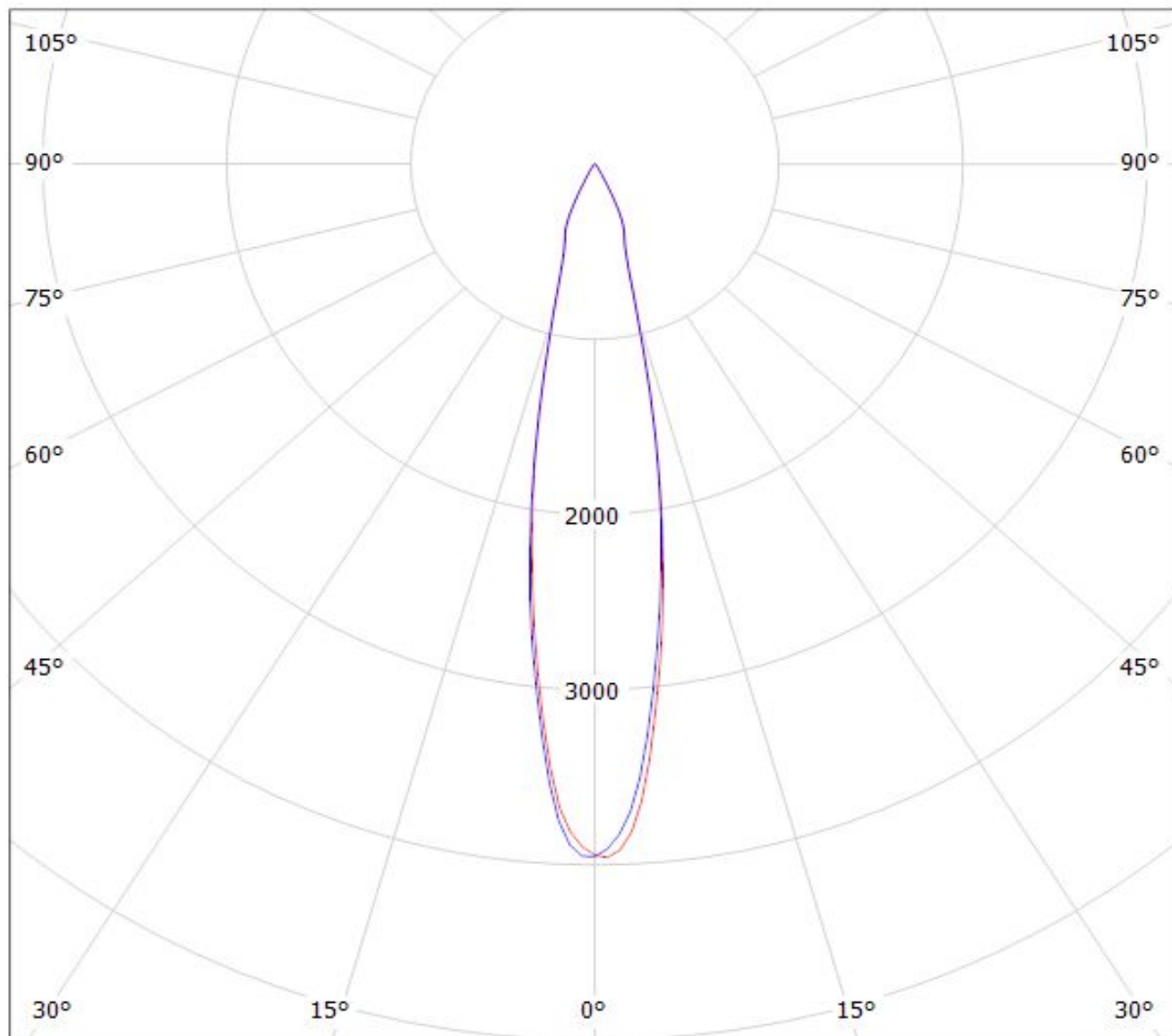
Luminaire: LEDiL Oy CN12930_LENA-M-DL_(Luxeon_K12) Eff.73.6%
Lamps: 1 x Luxeon K12 (808.51lm@250mA)



Luminaire: LEDiL Oy CN12930_LENA-M-DL_(Luxeon_K16) Eff.71.3%
Lamps: 1 x Luxeon_K16 (1208.05lm@250mA)



Luminaire: LEDiL Oy CN12930_LENA-M-DL_(Luxeon_K12) Eff.73.6%
Lamps: 1 x Luxeon K12 (808.5lm@250mA)

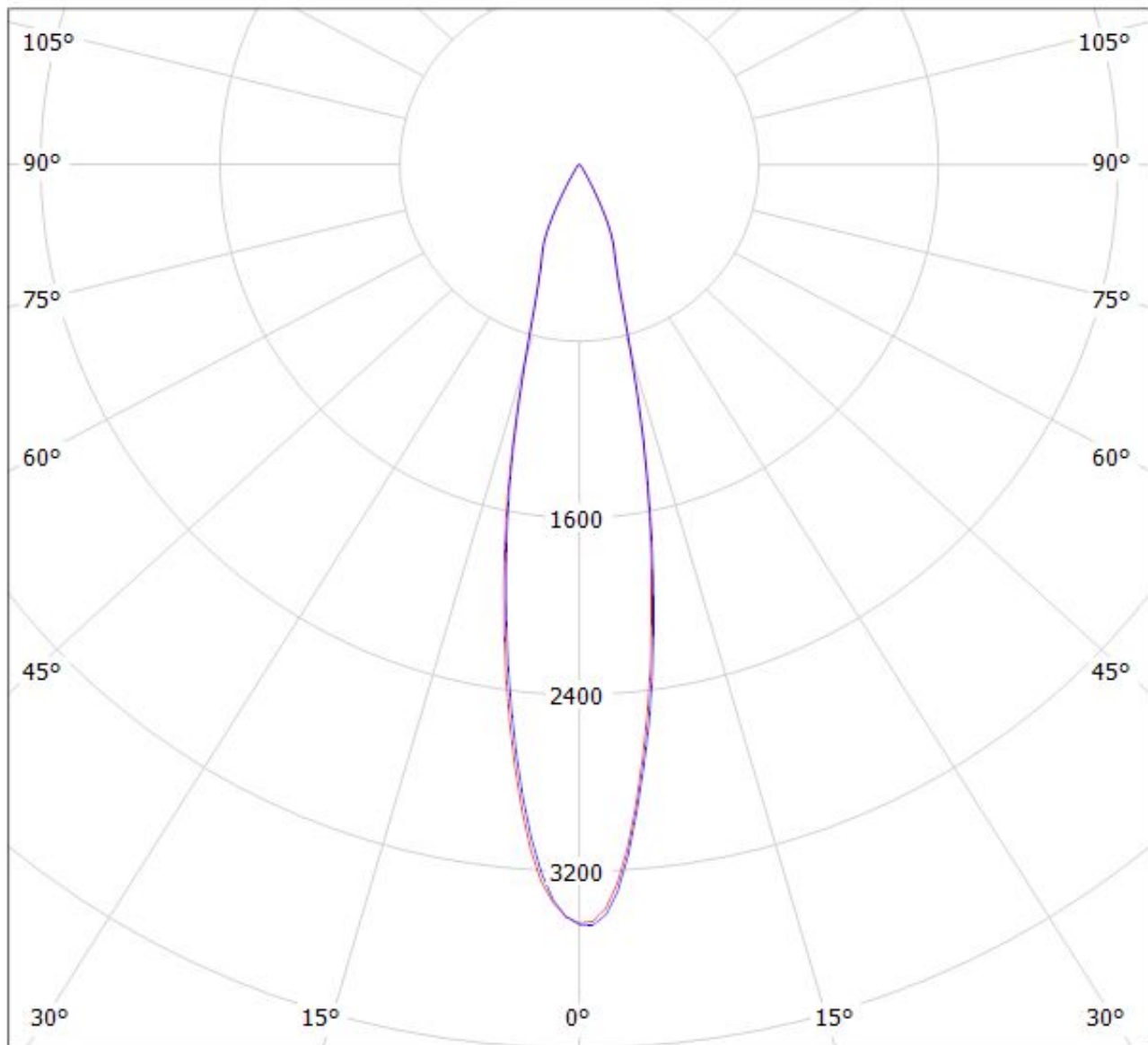


cd/klm

— C0 - C180 — C90 - C270

$\eta = 74\%$

Luminaire: LEDiL Oy CN12930_LENA-M-DL_(Luxeon_K16) Eff.71.3%
Lamps: 1 x Luxeon_K16 (1208.05lm@250mA)



cd/klm

— C0 - C180 — C90 - C270

$\eta = 71\%$

NOTE: The typical divergence will be changed by different color, chip size and chip position tolerance. The typical total divergence is the full angle measured where the luminous intensity is half of the peak value.