



## MEDS150 Servo Motor

SKU:80802 Weight:90.00 Gram



### Mechanical Specification

Size	40×20×41mm
Weight	75g
Gear type	5 metal gear
Limit angle	210°±5°
Bearing	2*Bearing
Horn gear spline	Φ8mm35T
Horn type	Plastic, POM
Case	Aluminum alloy+Engineering plastics
Connector wire	230mm±5mm
Motor	Coreless Motor
Splash water resistance	No

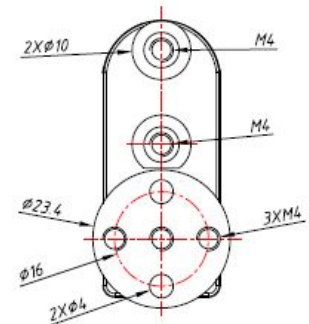
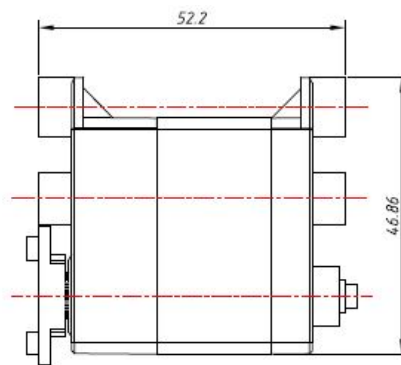
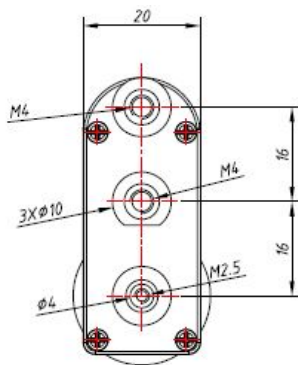
### Electrical Specification

Operat voltage	6.0V
Idle current	8mA
No load speed	0.19sec/60°
Runnig current	450mA
Peak stall torque	16.5kg.cm
Stall current	2500mA

### Control Specification

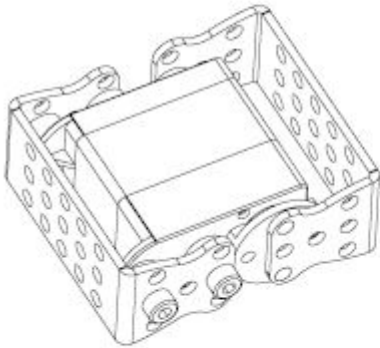
Command signal	Pulse width modification
Amplifier type	Digital controller
Pulse width range	500-2500usec
Neutral position	1500usec
Running degree	180°±3°(when 1000~2000usec)
Dead band width	5 usec
Rotating direction	Counterclockwise (when 1000~1500usec)

### Size Charts(mm):

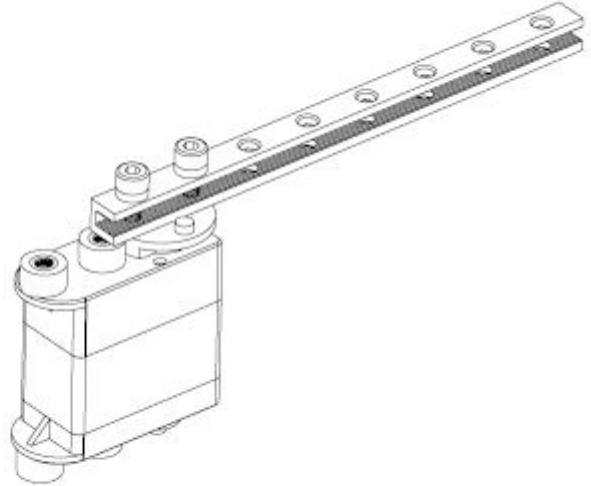


**Demo:**

1



2



Get the servo motor bracket as follow:

- MEDS15 Servo Motor Bracket-Blue(Pair)
- MEDS15 Servo Motor Bracket-Gold (Pair)