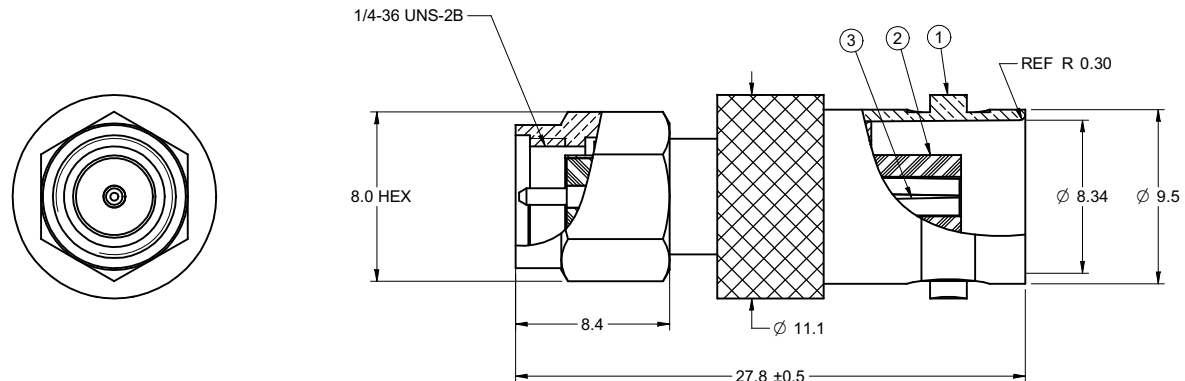
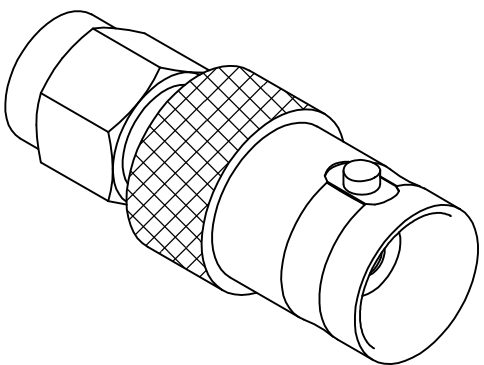


PART NUMBER	ITEM ① BODY	ITEM ② INSULATOR	ITEM ③ CONTACT
29-3855	BRASS NICKEL PLATED	DELTRIN	BERLLIUM GOLD PLATED

DRAWING NO. 29-3855	
REVISIONS	
01	OFFICIAL RELEASE 2009.09.14 08-31-09 Z W T Betty 08.00



受控 CONTROLLED DOCUMENT					
编号 P/N	29-3855	版本 Rev	01	日期 Rel'd Date	SEP 14,09



- NOTES:
1. BNC IMPEDANCE: 50 OHM NOMINAL
 2. PRODUCT SHOULD BE RoHS COMPLIANCE
 3. TECHNICAL DETAIL: REFER TO EMERSON DOCUMENT P/N 27-0000

THIS DRAWING TO BE INTERPRETED
PER ANSI Y 14.5M - 1994

COMPANY CONFIDENTIAL

TOLERANCE UNLESS OTHERWISE SPECIFIED		DRAWN BY GARY.ZHG	DATE 08-31-09
DECIMALS	mm	CHECKED BY LINDA.WU	DATE 08-31-09
X	± 0.5	APPROVED BY THOMAS	DATE 08-31-09
X.X	± 0.2	U/M	mm
X.XX	± 0.1		
ANGLES	+ 0.5°		

		Connectivity Solutions	
TITLE CPAD508 SMA(M)-BNC(F) ADAPTER			
SHEET 1 OF 1	DRAWING NO. 29-3855	SIZE C	

THIS DRAWING WAS PRODUCED BY COMPUTER,
DO NOT SCALE DRAWING OR UPDATE MANUALLY.