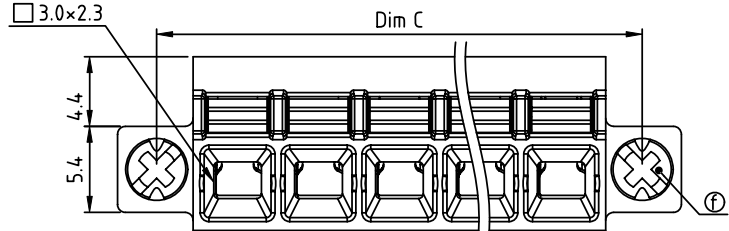
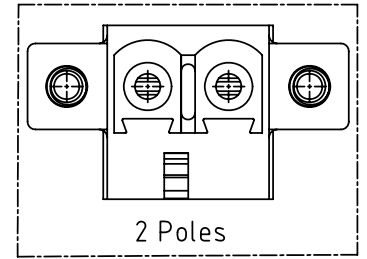


PRODUCT NUMBER	PITCH
KDxx50x100J0G	5.08 mm

DIM A	N×5.08+0.50
DIM B	(N-1)×5.08
DIM C	(N-1)×5.08+10.16
DIM D	(N-1)×5.08+15.08
DIM E	(N-1)×5.08+4.20

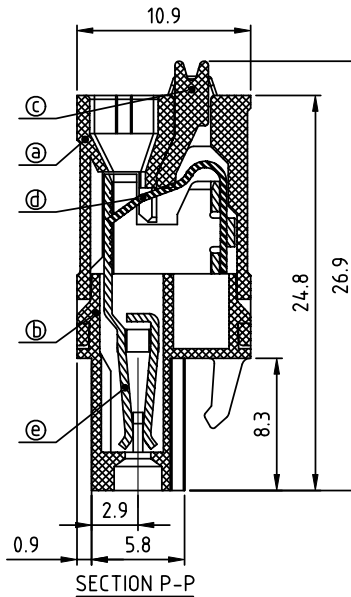
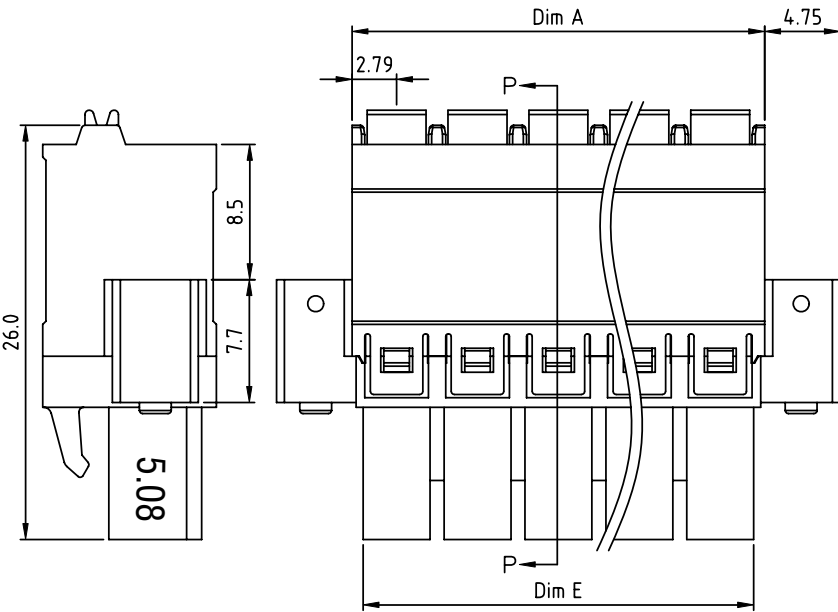
PART NO.: **KD xx 5 0 x 1 00J0 G**

- | | | | |
|--------------|---|-------------------|-----------------|
| Solid block | 0 | Color | RoHS compliant |
| No. of poles | 2 | Black (RAL9005) | (lead<4%) |
| 02 2 poles | 3 | Red (RAL3001/D) | In copper Alloy |
| 03 3 poles | 4 | Orange(RAL2011/P) | |
| ... | 5 | Yellow(RAL1018/A) | |
| ... | 6 | Green(RAL6018/T) | |
| 24 24 poles | 8 | Blue (RAL5015/A) | |
| | 9 | Grey(RAL7035/D) | |
| | 9 | White(RAL1102) | |
| | C | Green(RAL6018/U) | |



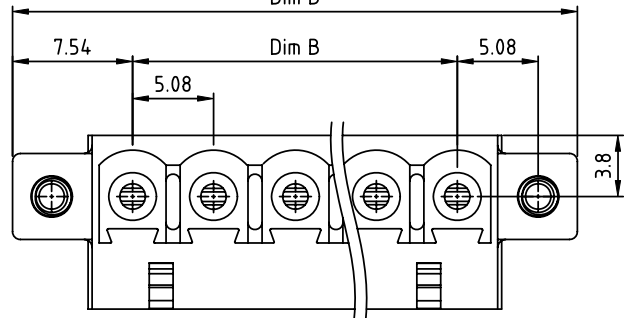
N=Number of poles

POLES	Tolerance
2p-6p	±0.15
7p-12p	±0.25
13p-18p	±0.35
19p-24p	±0.40



- Material:
- Item (A) Top body: Thermoplastic (UL94V-0)
 - Item (B) Bottom body: Thermoplastic (UL94V-0)
 - Item (C) Terminal Lever: Thermoplastic (UL94V-0) Orange (RAL2001/P)
 - Item (D) Spring clamp: Stainless steel
 - Item (E) Female contact: PhBz Tin Plated.
 - Item (F) Flange screw: Steel Zinc plating M2.5"/+/-" combination type

- Electrical:
- Voltage rating: 300 V
 - Current rating: 12 A
 - Wire range:
 - Solid wire(AWG): 14-24
 - Stranded wire(AWG): 14-24
 - Wire strip length: 11-12 mm
 - Withstanding Voltage: 1.6 KV
 - Operating temperature: -40°C to +115°C
 - Safety Approval:



mat'l. code		surface ASME Y14.5	tolerance ASME Y14.5	projection	product family
ltr ecn no dr date		tolerances unless otherwise specified			TERMINAL BLOCK
		angles	X.±0.5	MM	title
		X*1°	X.X±0.3	scale	TERMINAL BLOCK
		dr	X.XX±0.1		SPRING CLAMP, PLUGGABLE PLUG, WITH FLANGE
		enr			dwg no
		chr			sheet 1 of 1 size
		appd			KDxx50x100J0G
					A4
					type
					CUSTOMER Drawing
sheet index	revision	A			
	sheet	1			