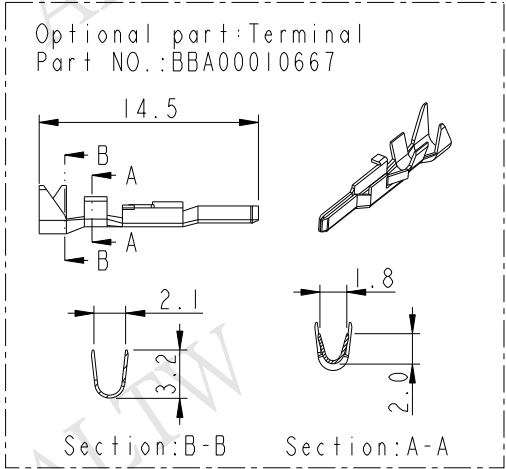
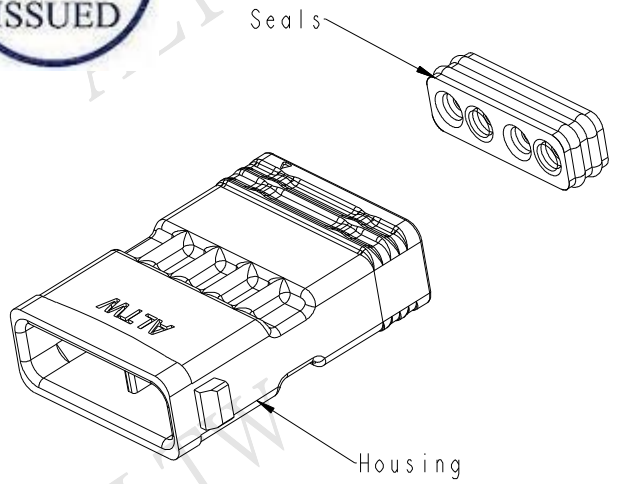
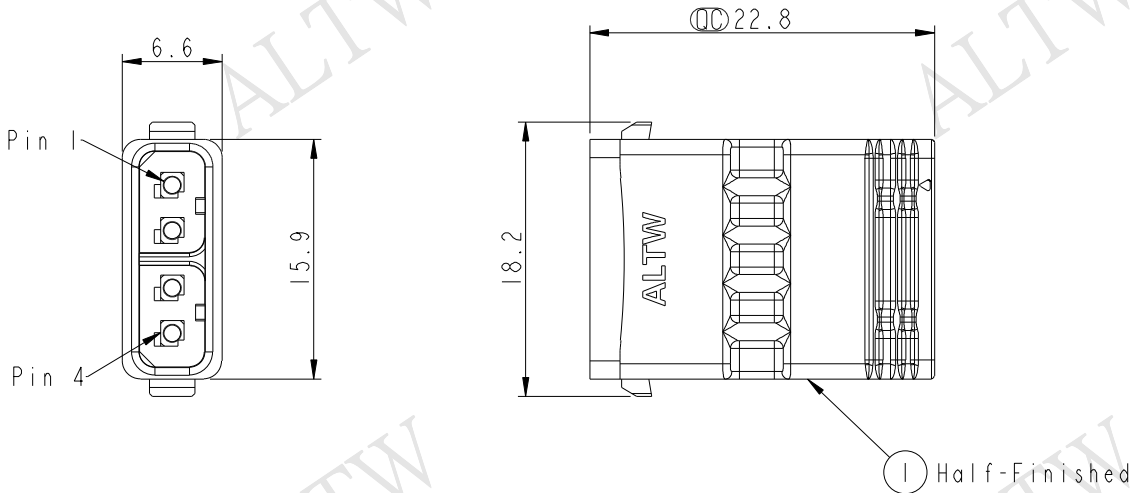


REV.	ECN NO.	DATE	SIGN	DESCRIPTION
A	Initial Release	2015-04-15	Fisher	Initial Release
B	LEN1620284	2016-03-02	Fisher	Update Label

ALTW
CONFIDENTIAL
2016-03-02
R&D DEPT.

ALTW
DCC. DEPT.
CONFIDENTIAL
2016.03.04
ISSUED



- Notes:
- * \varnothing Important Dimension To Check.
 - * Waterproof Rate: IP68(mating).
1M Depth Of Water In 24 Hours.
 - * Housing: Thermoplastic, UL94V-0, Natural White.
 - * Seals: Silicone, Gray.
 - * Current Rating: 5A maximum.
 - * Applicable Wire Range: UL1430, 20~22AWG
 - * Voltage Rating: 250V AC/DC maximum.
 - * Operating Temperature: -40~+105°C
 - * Applicable terminal: BBA00010667

UNIT:mm			TITLE SSL1.2 4P F Conn. Field Installable
TOLERANCE ±0.5mm	SCALE 2:1	SIZE A4	SHEET 1 OF 2
REV. B	WC-REV. A.4	\varnothing : Inspection item	

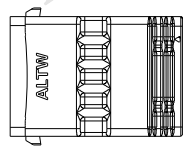
Amphenol LTW
安費諾亮泰企業股份有限公司

ITEM NO SSL12-J4FJ0-000001	DRAWN BY Fisher_Wang	DATE 2016-03-02
DWG NO SSL12-J4FJ0-000001	CHECKED BY Victor_Hung	DATE 2016-03-02
CUSTOMER ALTW	APPROVED BY Kevin_Hu	DATE 2016-03-02

THIS DOCUMENT IS SUBJECT TO CHANGE WITHOUT NOTICE. IT IS CONFIDENTIAL AND A PROPERTY OF AMPHENOL LTW. DISCLOSURE TO THIRD PARTY HAS TO BE AUTHORIZED BY AMPHENOL LTW.

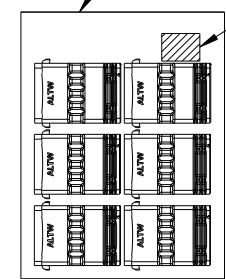
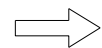
THIS DOCUMENT IS SUBJECT TO CHANGE WITHOUT NOTICE. IT IS CONFIDENTIAL AND A PROPERTY OF Amphenol LTW. DISCLOSURE TO THIRD PARTY HAS TO BE AUTHORIZED BY Amphenol LTW.

Packing



Housing

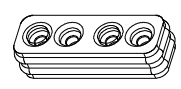
x 250PCS



PE Bag

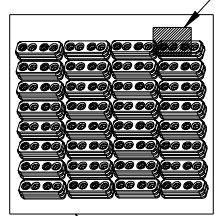
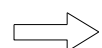
② Label

x 5PCS



Seals

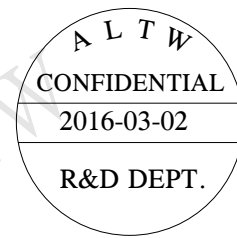
x 250PCS



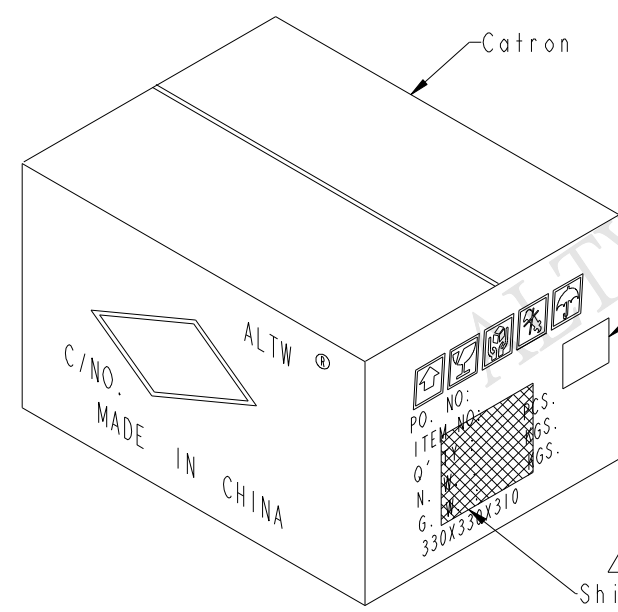
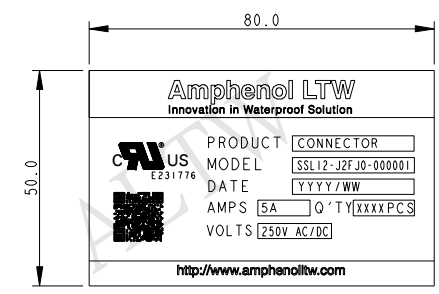
PE Bag

② Label

x 5PCS



Print content of Label



Carton

③ Label

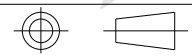
C/NO. ALTW
MADE IN CHINA

PO. NO:
ITEM NO:
QTY:
N. OF PAGES:
GROSS WEIGHT:
330X330X310

Shipping Mark

- QUANTITY
1. 1250Set Per Carton
 2. Net Weight: 2.0Kg/Carton.
 3. Gross Weight: 2.6Kg/Carton.
 - ④ 4. Each box put a assembly instruction

UNIT:mm



TOLERANCE
±0.5mm

TITLE SSL1.2 4P F Conn. Field Installable			
SCALE 2:1	SIZE A4	SHEET 2 OF 2	
REV. B	WC-REV. A.4	QC: Inspection item	

Amphenol LTW
安費諾亮泰企業股份有限公司

ITEM NO SSL12-J4FJ0-000001	DRAWN BY Fisher_Wang	DATE 2016-03-02
DWG NO SSL12-J4FJ0-000001	CHECKED BY Victor_Hung	DATE 2016-03-02
CUSTOMER ALTW	APPROVED BY Kevin_Hu	DATE 2016-03-02

DATE 2016-03-02
DATE 2016-03-02
DATE 2016-03-02

DATE 2016-03-02
DATE 2016-03-02
DATE 2016-03-02