



3M™ Fiber Optic Splice Tray 2527 with 3M™ PLC Optical Splitter

Instructions

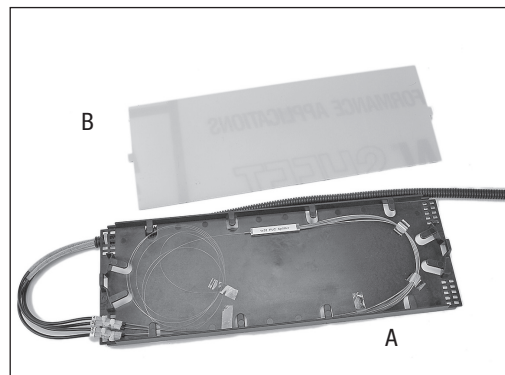
1.0 General

1.1 The 3M™ Fiber Optic Splice Tray 2527 with 3M™ PLC Optical Splitter(s) protects, organizes and stores a variety of splices and PLC Splitters. A three-inch (76 mm) minimum bend diameter is maintained in the tray. All four corners have features which can accommodate various buffer tubes. There will be a max. of eight fibers in each of the black transition tubes provided in the splitter tray assembly. The tray cover is made of a clear material for easily identifying the splices.

Product Number	Product Description	Stock Number
2527-1X4PLC-01-SF2-BA	2527 Tray w/ one 1x4 PLC Splitter, Splitter input/output splicing for 12 3.0x60 mm SF	80-6113-3087-1
2527-1X4PLC-02-SF2-BA	2527 Tray w/ two 1x4 PLC Splitter, Splitter input/output splicing for 12 3.0x60 mm SF	To be announced
2527-1X4PLC-03-SF2-AA	2527 Tray w/ three 1x4 PLC Splitter, Splitter input splicing for 12 3.0x60 mm SF	To be announced
2527-1X4PLC-04-SF2-AA	2527 Tray w/ four 1x4 PLC Splitter, Splitter input splicing for 12 3.0x60 mm SF	To be announced
2527-1X8PLC-01-SF2-BA	2527 Tray w/ one 1x8 PLC Splitter, Splitter input/output splicing for 12 3.0x60 mm SF	To be announced
2527-1X8PLC-02-SF2-AA	2527 Tray w/ two 1x8 PLC Splitter, Splitter input splicing for 12 3.0x60mm SF	To be announced
2527-1X8PLC-03-SF2-AA	2527 Tray w/ three 1x8 PLC Splitter, Splitter input splicing for 12 3.0x60mm SF	To be announced
2527-1X16PLC-1-SF2-AA	2527 Tray w/ one 1x16 PLC Splitter, Splitter input splicing for 12 3.0x60mm SF	To be announced
2527-1X16PLC-2-SF2-AA	2527 Tray w/ two 1x16 PLC Splitter, Splitter input splicing for 12 3.0x60mm SF	To be announced
2527-1X32PLC-1-SF2-AA	2527 Tray w/ one 1x32 PLC Splitter, Splitter input splicing for 12 3.0x60mm SF	80-6113-3088-9
2527-1X32PLC-2-SF2-AA	2527 Tray w/ two 1x32 PLC Splitter, Splitter input splicing for 12 3.0x60mm SF	To be announced

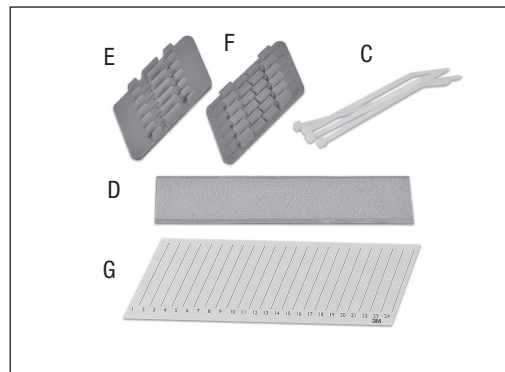
2.0 Kit Contents

- a. Splitter tray assembly
- b. Cover



Loose parts in bag:

- c. Cable ties (as required per kit)
- d. 6" (150 mm) 3M™ Scotchmate™ Transition Tube Retainer
- e. Adhesive-backed single fusion holder (1)
- f. Adhesive-backed mechanical splice holder (1)
- g. Log label



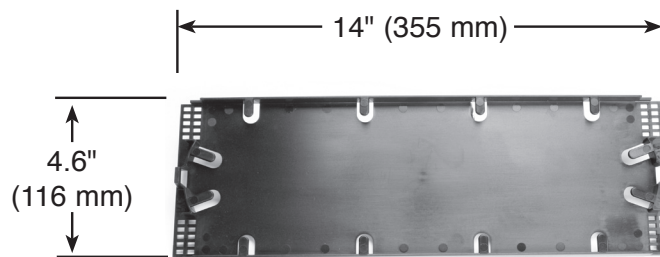
Visually inspect all components. If any component is missing or appears damaged, do not install. Call 3M customer service at 1-800-426-8688 for a replacement product.

3.0 Compatible 3M™ Fiber Optic Closures and Terminals

- a. 3M™ Fiber Optic Splice Closure 2178-S
- b. 3M™ Fiber Optic Splice Closure 2178-S+2181-LS with one to three 3M™ Cable Addition Kits for 2178-L/S Series Splice Closures
- c. 3M™ Fiber Optic Splice Closure 2178-LS
- d. 3M™ Fiber Optic Splice Closure 2178-LS+2181-LS with one to three 3M™ Cable Addition Kits for 2178-L/S Series Splice Closures
- e. 3M™ Fiber Optic Splice Closure 2178-LL
- f. 3M™ Fiber Optic Splice Closure 2178-LL + 2181-LS with one to three 3M™ Cable Addition Kits for 2178-L/S Series Splice Closures
- g. 3M™ Fiber Optic Splice Closure 2178-XL
- h. 3M™ SLiC™ Fiber Aerial Closures and Terminals

4.0 Tray Dimensions and Closure Capacities

4.1 3M™ Fiber Optic Splice Tray 2527 dimensions:



Height: 0.5" (13 mm)

4.2 3M™ Fiber Optic Closure capacities:

Closure	Number of 2527 Trays
2178-S ¹	2
2178-S + 81 ^{1,2}	2178S - 2 or 2181 L/S - 5
2178-LS ¹	7
2178-LS + 81 ^{1,2}	2178S - 7 or 2181 L/S - 10
2178-LL ¹	7
2178-XL ¹	12
SLFC-533	3
SLFC-733	6
SLFT-530	3

¹ Same splice capacities for FR versions

² 3M™ Cable Addition Kit 2181-LS can be used to add additional cable entry ports or splice trays

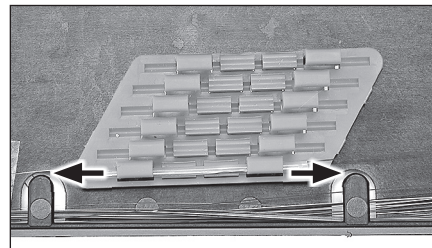
5.0 Cable Preparation

- 5.1 Remove appropriate amount of sheath per company practice.
- 5.2 Clean the grease from the buffer tube(s) per company practice.

6.0 Splicing Input Fibers

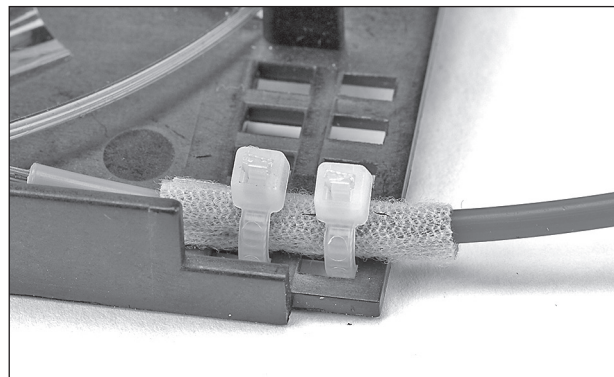
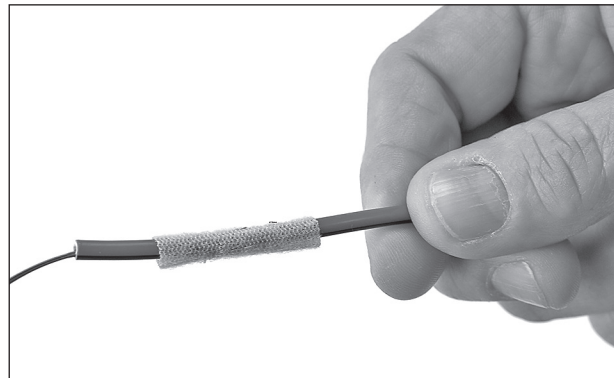
- 6.1 Select appropriate splice holder based on type of splicing to be performed.
- 6.2 Remove adhesive backing and position splice holder on opposite side of tray from splitter(s), parallel to splice tray (lengthwise). Center insert on tray. Position insert edge even with ends of tabs to allow fiber to route between insert and outer wall of tray.

Note: *In a contaminated environment, use your company-approved cleaner (i.e. isopropyl alcohol) to clean tray surface for proper adhesion prior to splice holder installation. Carefully follow safety, health and environmental information given on product label or Material Safety Data Sheet for isopropyl alcohol.*

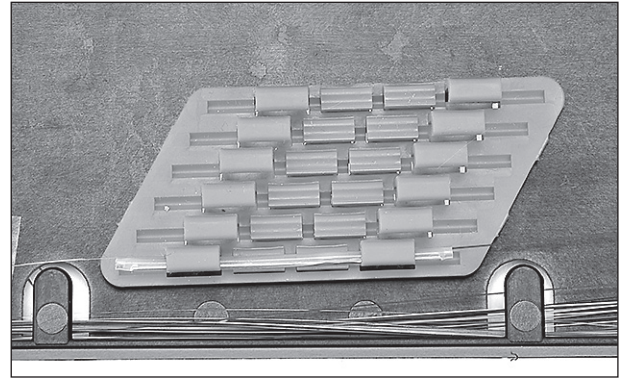


- 6.3 Open required buffer tube to expose fiber(s) to be spliced with the 3M™ PLC Optical Splitter input(s). Clean cable if grease is present. 3M™ Scotchcast™ Filled Cable Cleaning Kit 4414 or 3M™ Scotchcast™ Service Wire Cleaning Kit 4415 is recommended. Secure incoming buffer tube into tray using a single wrap of 3M™ Scotchmate™ Transition Tube Retainer and two cable ties. Secure outgoing buffer tube (if expressing uncut fibers) using same method.

Note: *Carefully follow safety, health and environmental information given on product label or the Material Safety Data Sheet for the cleaner.*

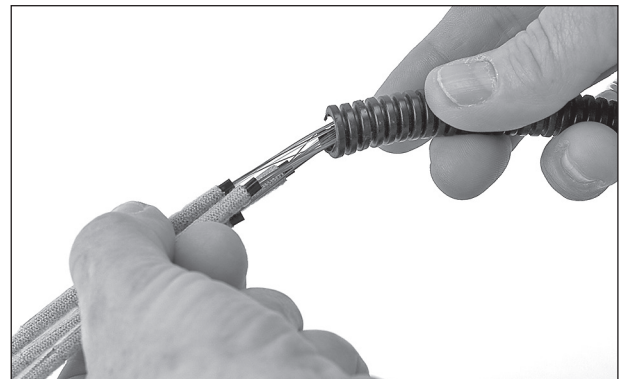
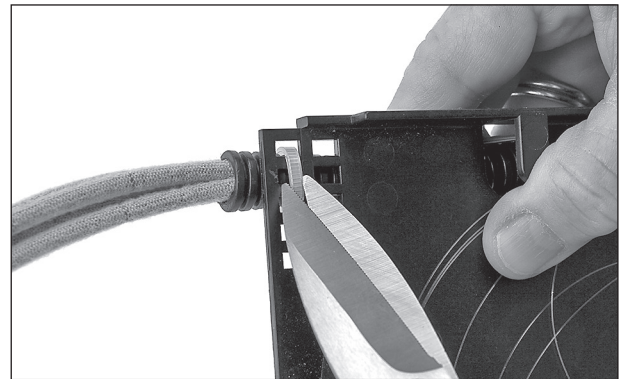


- 6.4 Splice input fiber(s) to appropriate fiber(s) from main cable buffer. Store slack fiber in tray and insert splice into splice holder.



7.0 Splicing Output Fibers

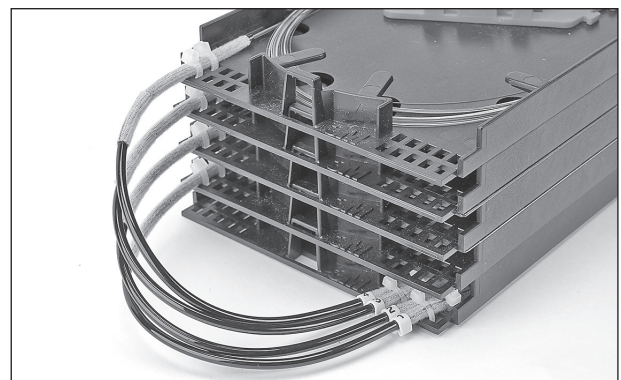
- 7.1 Cut cable tie attaching corrugated tubing to tray. Carefully slide tubing off fibers. Discard corrugated tubing.



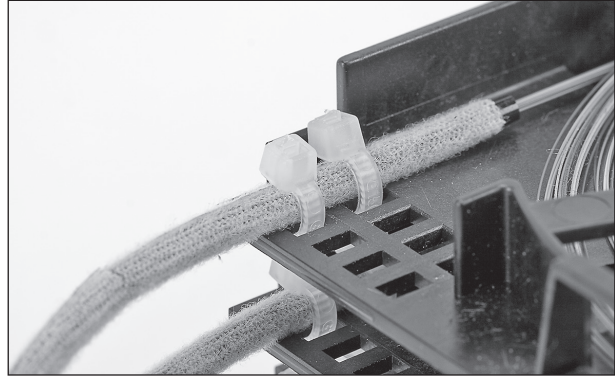
- 7.2 Route output tube(s) into desired splice tray(s).

For demonstration purposes 1 x 32 configuration shown.

For all configurations, a maximum of eight fibers are contained inside each black transition tube provided in the splitter tray assembly.

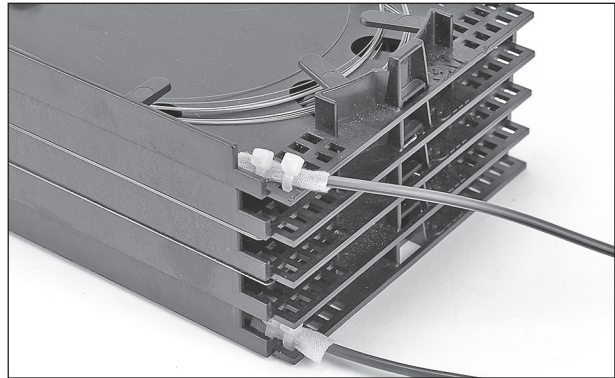


7.3 Use two cable ties to secure output tubing into desired splice tray. Cable ties should be placed on top of pre-installed 3M™ Scotchmate™ Transition Tube Retainer.



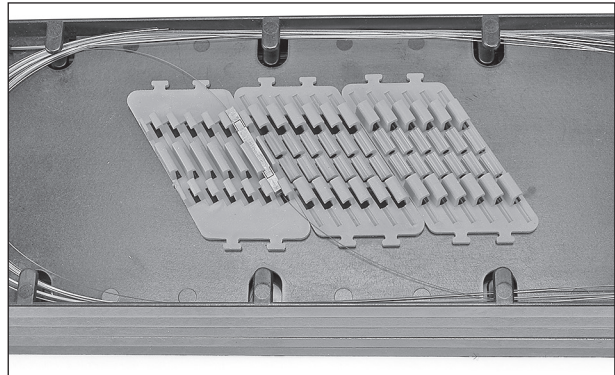
7.4 Place splice inserts as needed to hold required number of output splices to be performed, for each tray.

7.5 Open required output buffer tube(s) from main cable. Clean cable if grease is present. 3M™ Scotchcast™ Filled Cable Cleaning Kit 4414 or 3M™ Scotchcast™ Service Wire Cleaning Kit 4415 is recommended. Secure required output fiber buffer tube(s) into tray using a single wrap of 3M™ Scotchmate™ Transition Tube Retainer and two cable ties. Secure outgoing buffer tube(s) (if expressing uncut fibers) using same method.



Note: Carefully follow safety, health and environmental information given on product label or the Material Safety Data Sheet for the cleaner.

7.6 Splice output fibers to outgoing fibers. Store slack fiber into tray and insert splice into splice holder(s).



3M, Scotchcast, Scotchmate and SLiC are trademarks of 3M Company.

**RoHS Compliant 2002/95/EC" means that the product or part ("Product") does not contain any of the substances in excess of the maximum concentration values in EU Directive 2002/95/EC, as amended by Commission Decision 2005/618/EC, unless the substance is in an application that is exempt under EU RoHS. This information represents 3M's knowledge and belief, which may be based in whole or in part on information provided by third party suppliers to 3M.

Important Notice

All statements, technical information, and recommendations related to 3M's products are based on information believed to be reliable, but the accuracy or completeness is not guaranteed. Before using this product, you must evaluate it and determine if it is suitable for your intended application. You assume all risks and liability associated with such use. Any statements related to the product which are not contained in 3M's current publications, or any contrary statements contained on your purchase order shall have no force or effect unless expressly agreed upon, in writing, by an authorized officer of 3M.

Warranty; Limited Remedy; Limited Liability.

This product will be free from defects in material and manufacture for a period of one (1) year from the time of purchase. **3M MAKES NO OTHER WARRANTIES INCLUDING, BUT NOT LIMITED TO, ANY IMPLIED WARRANTY OF MERCHANTABILITY OR FITNESS FOR A PARTICULAR PURPOSE.** If this product is defective within the warranty period stated above, your exclusive remedy shall be, at 3M's option, to replace or repair the 3M product or refund the purchase price of the 3M product. **Except where prohibited by law, 3M will not be liable for any indirect, special, incidental or consequential loss or damage arising from this 3M product, regardless of the legal theory asserted.**



Communication Markets Division 3M Telecommunications

6801 River Place Blvd.
Austin, TX 78726-9000
1-800-426-8688
www.3MTelecommunications.com

Please Recycle. Printed in USA.
© 3M 2010. All Rights Reserved.
78-8140-3092-6-B